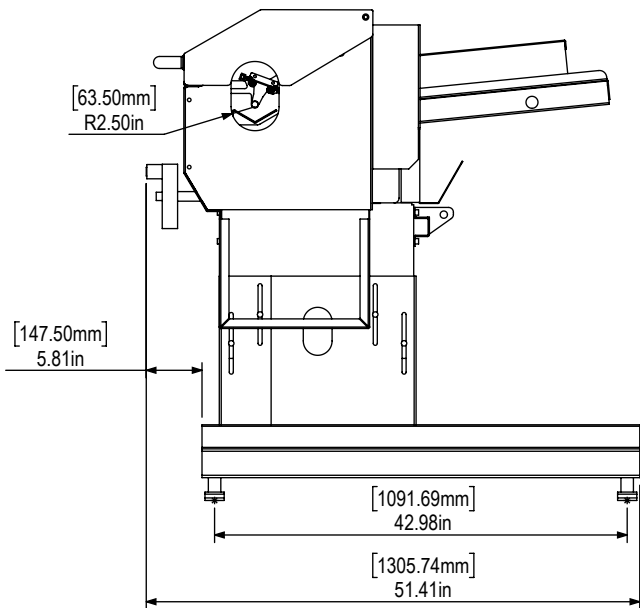
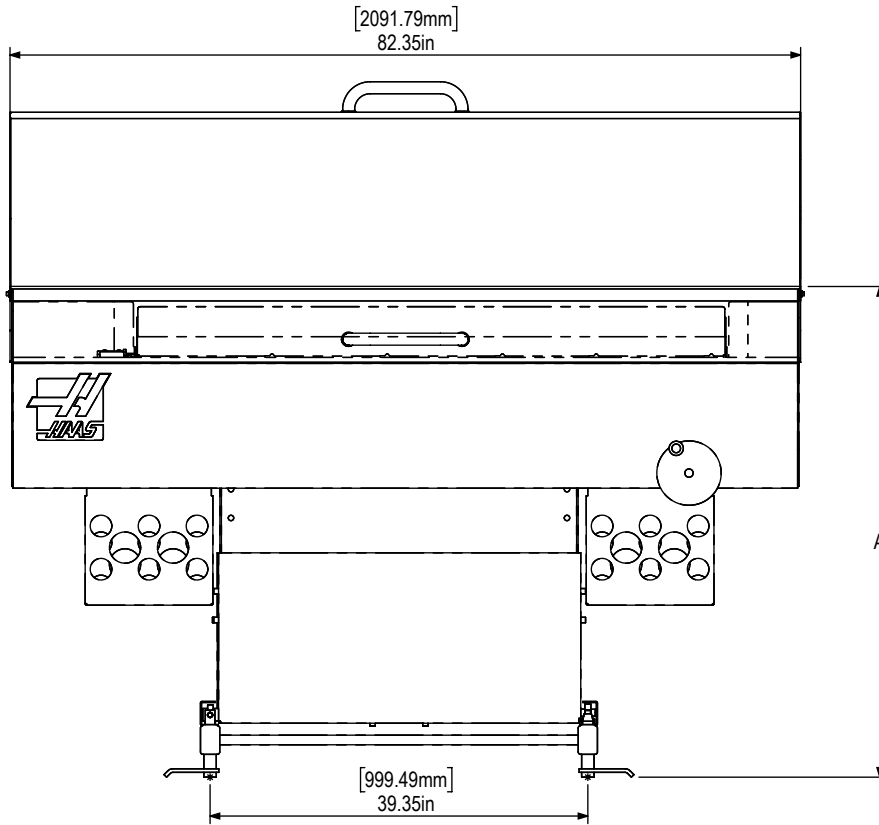
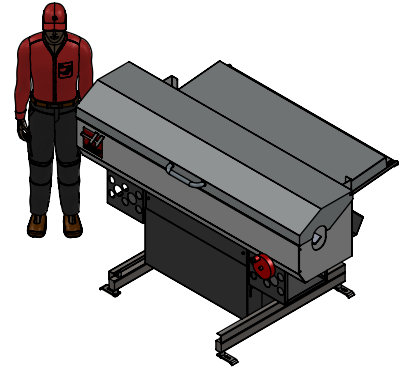
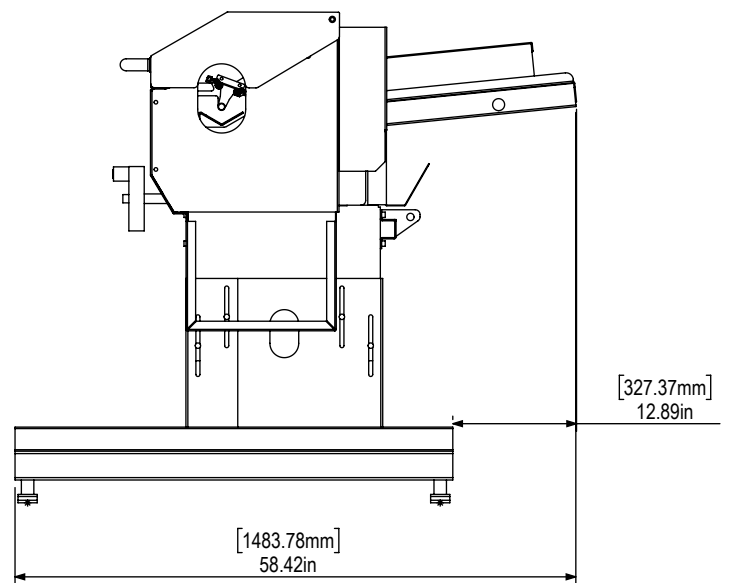




MACHINE	A
ST-10	49.25in [1251mm]
ST-20/25	48.5in [1232mm]
ST-30/35	53.0in [1346mm]



FORWARD



RETRACTED