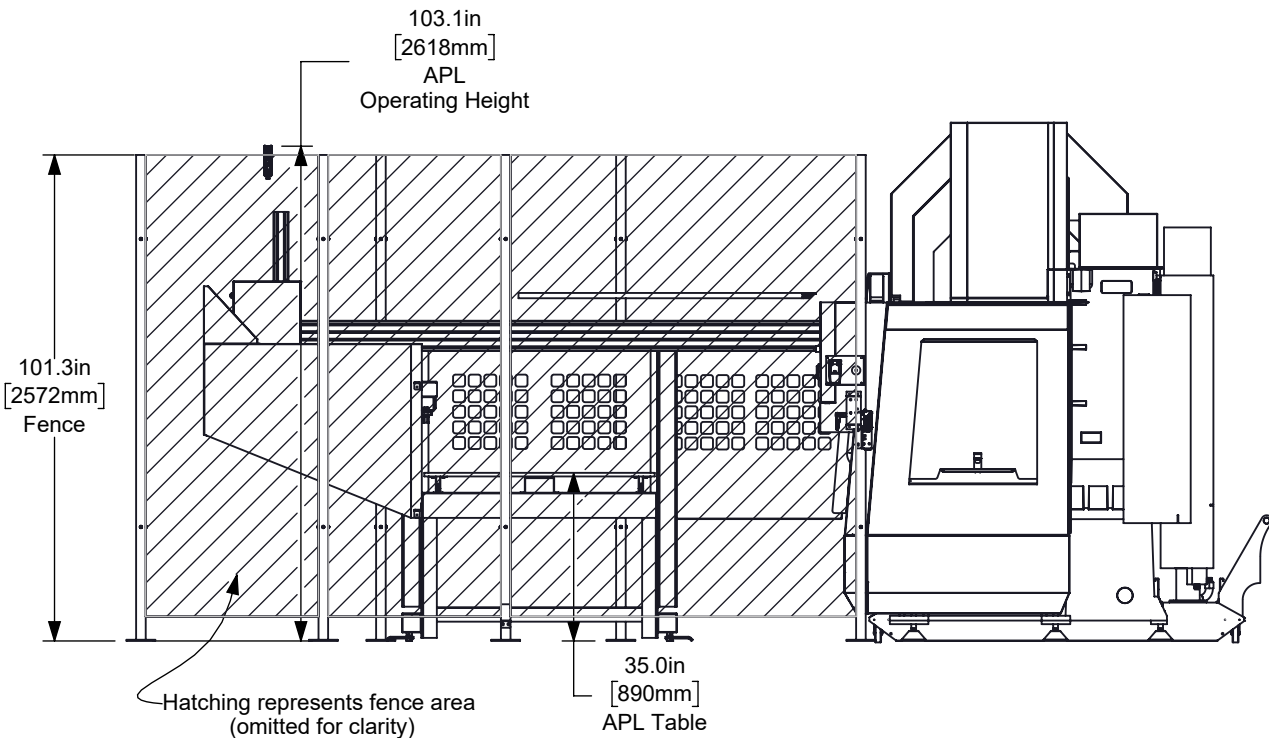
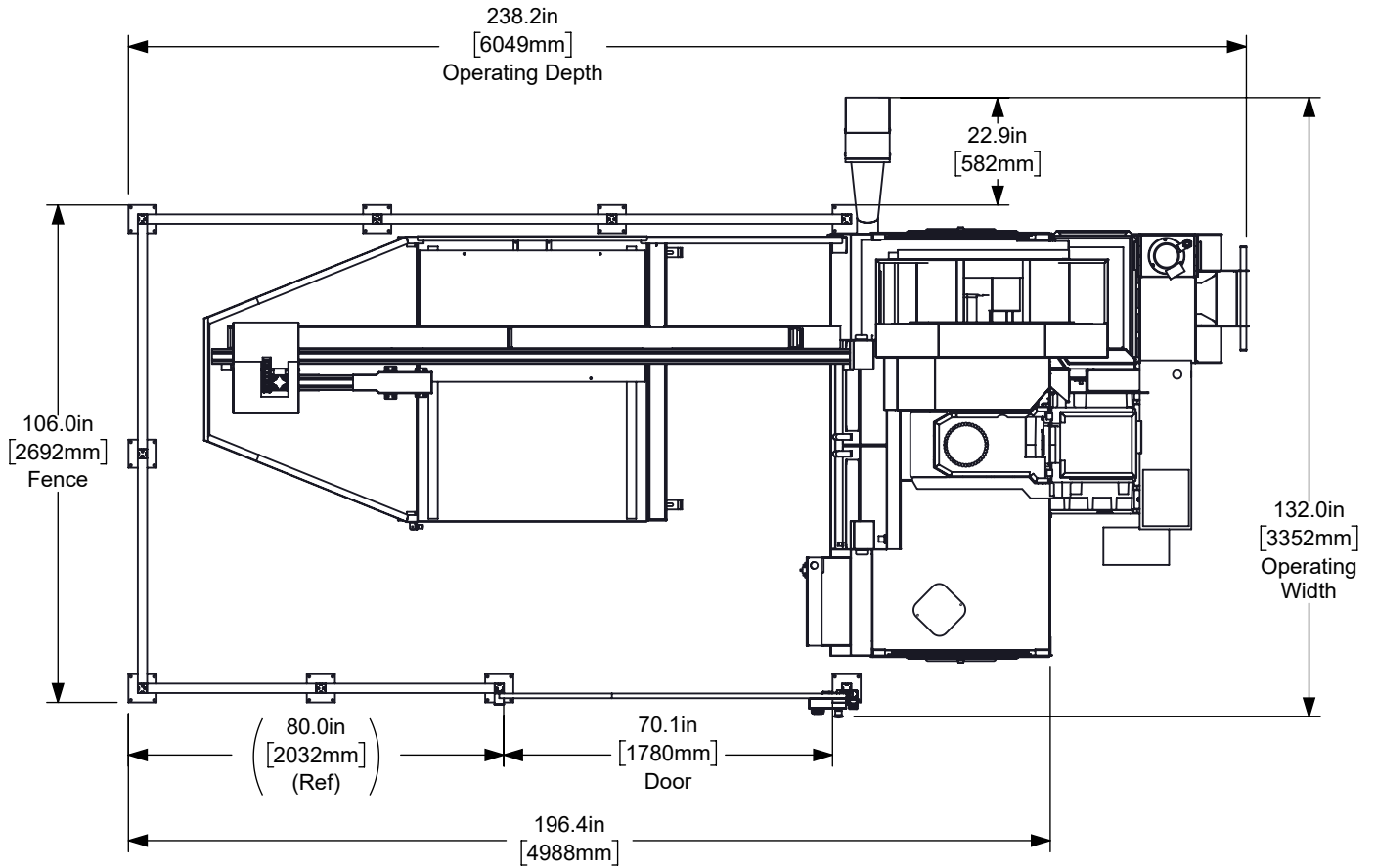


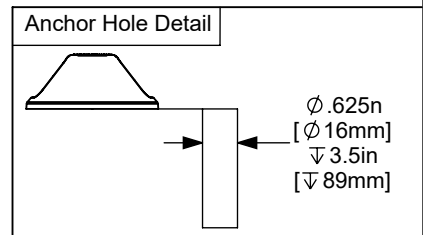
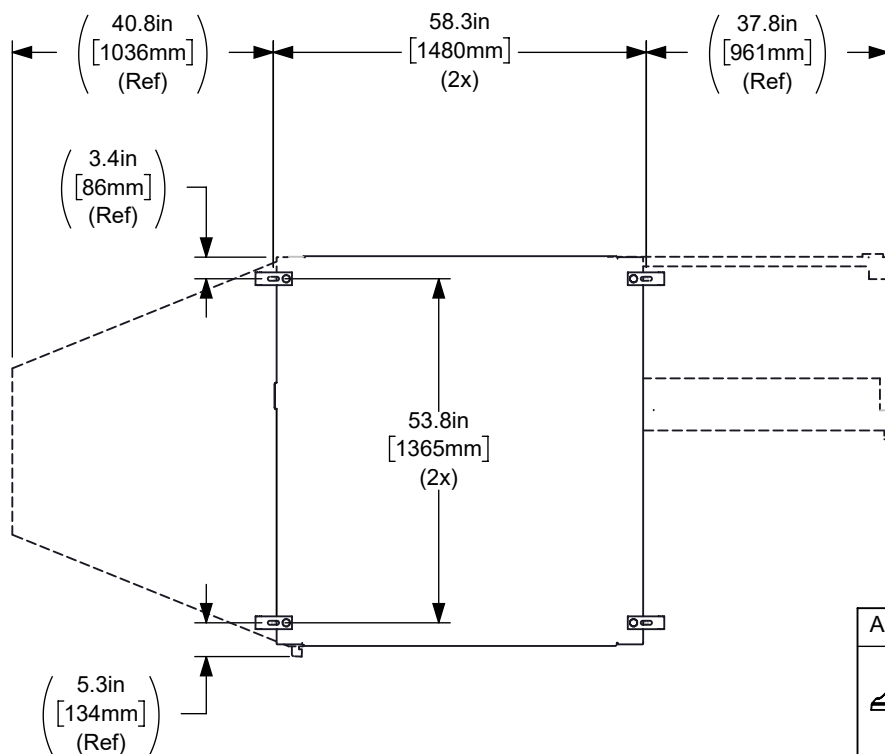
Note - A light curtain is standard and the full height fence is optional in all areas besides CE (European) countries. In "CE compliant" European countries the full height wrap around fence is standard.



Note - the full height wrap around fence is standard in "CE compliant" European countries. In all other areas a light curtain is standard and the full height fence is optional

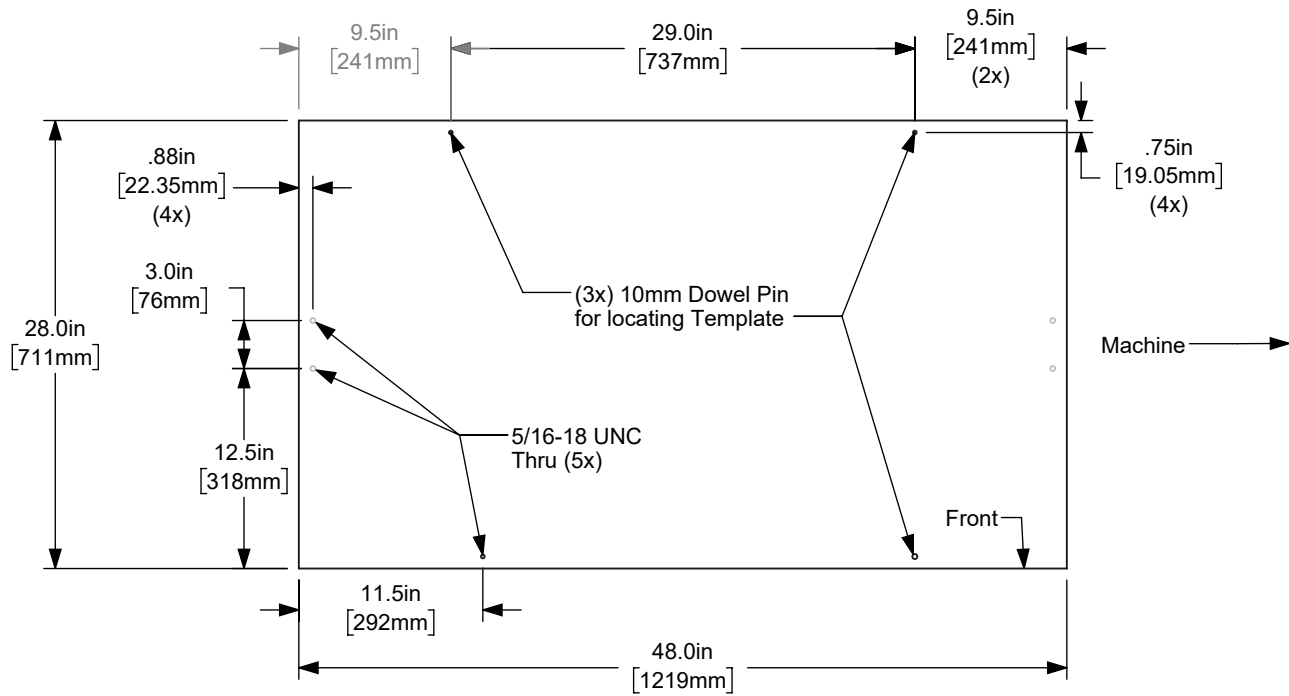


Air and Power are provided from the machine
No independent connections are necessary for APL



All dimensions based on stackup of sheetmetal, subject to variation of 1/2" (13 mm)

All dimensions based on stackup of sheetmetal, subject to variation of 1/2" (13 mm) Due to continual product improvements, dimensions are subject to change without notice

Table

To accommodate the large variation in size and shape of material that can be loaded by the APL, use the following guidelines and table dimensions to make your own part specific templates

1. Allow adequate space between rows and columns for gripper clearance
2. All rows must have equal spacing
3. All columns must have equal spacing (but can be different than row spacing)
4. Use dowel pins and/or screw holes to fix template to table

Maximum Part Size