



Haas  
F1 Team  
OFFICIAL MACHINE TOOL

F  
O  
L  
O

HAAS 50-TAPER VMCS:

# The Industry Workhorses

THAT FIT ANY SHOP'S NEEDS



# 50T POWER IN MANY SIZES

High power and high torque for long-reach tools, large tools, and heavy material removal.



## MEDIUM SERIES

### 50-TAPER

#### VF-3YT/50

40" x 26" x 25"  
1016 x 660 x 635mm

#### VF-5/50

50" x 26" x 25"  
1270 x 660 x 635mm

#### VF-5/50XT

60" x 26" x 25"  
1270 x 660 x 635mm

### 5-AXIS

#### VF-5/50TR

50" x 26" x 25"  
1270 x 660 x 635mm

## LARGE SERIES

### 5-AXIS

#### VF-6/50TR

64" x 32" x 30"  
1270 x 660 x 635mm

### 50-TAPER

#### VF-6/50

64" x 32" x 30"  
1626 x 813 x 762mm

#### VF-7/50

84" x 32" x 30"  
2134 x 813 x 762mm

#### VF-8/50

64" x 40" x 30"  
1626 x 1016 x 762mm

#### VF-9/50

84" x 40" x 30"  
2134 x 1016 x 762mm

#### VF-10/50

120" x 32" x 30"  
3048 x 813 x 762mm

#### VF-11/50

120" x 40" x 30"  
3048 x 1016 x 762mm

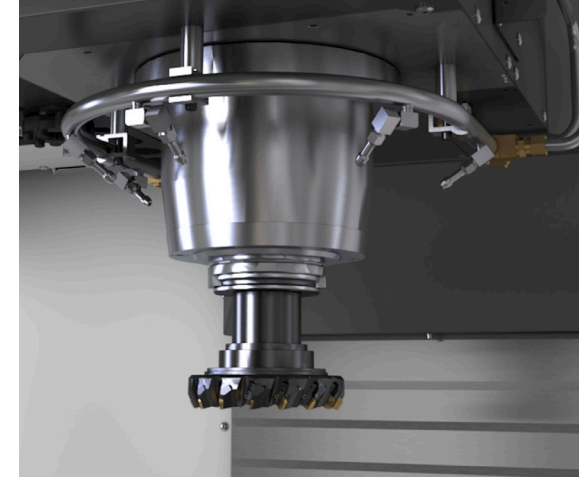
#### VF-12/50

150" x 32" x 30"  
3810 x 813 x 762mm

#### VF-14/50

150" x 40" x 30"  
3810 x 1016 x 762mm

## HIGH-PERFORMANCE SPINDLES FOR 50-TAPER VF SERIES



Reliable, high-performance spindles – designed and manufactured by Haas.

### STANDARD

·7500-rpm, 30 hp (22.4 kW), Gearbox

### OPTIONAL

·7500-rpm, 60 hp (44.7 kW), Gearbox

·10,000-rpm, 60 hp (44.7 kW), Gearbox

## 50-TAPER STANDARD FEATURES

### SPINDLE

·7500-rpm Spindle

### TOOL CHANGER

·30+1 Side-Mount

### CHIP & COOLANT MANAGEMENT

·Programmable Coolant Nozzle  
·Window Air Blast  
·Chip Auger  
·95-Gallon Coolant Tank\*

### THE HAAS CONTROL

·Media Display M-Code; M130  
·HaasConnect: Mobile Monitoring  
·Power-Failure Detection Module  
·1 GB Standard Program Memory  
·Remote Jog Handle with Touchscreen  
·Ethernet & Wifi Connectivity  
·Rigid Tapping

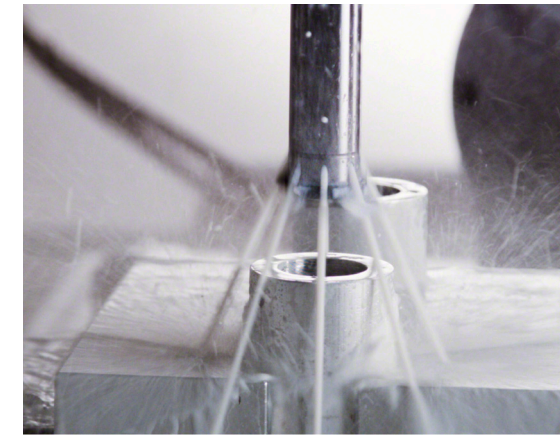
### SHIPPING

·Lifting Provision

### WARRANTY

·1-Year Standard Warranty

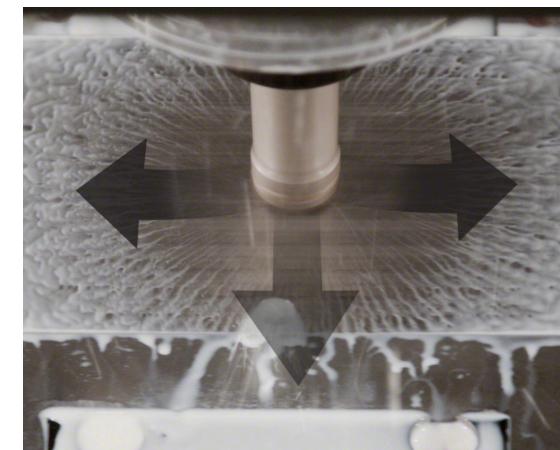
\* Except VF-3YT/50



### THROUGH-SPINDLE COOLANT

Coolant through the tool – 300 psi (21 bar) or 1000 psi (69 bar)

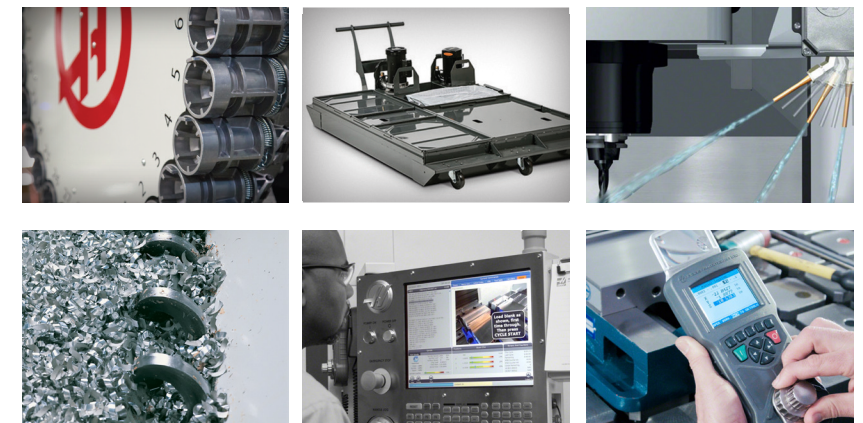
- Allows deep-hole drilling without pecking to reduce cycle times
- Reduces material work hardening and increases tool life
- Produces better surface finishes by clearing chips
- Self-cleaning TSC pump



### THROUGH-TOOL AIR BLAST

Blast chips away during dry or wet machining

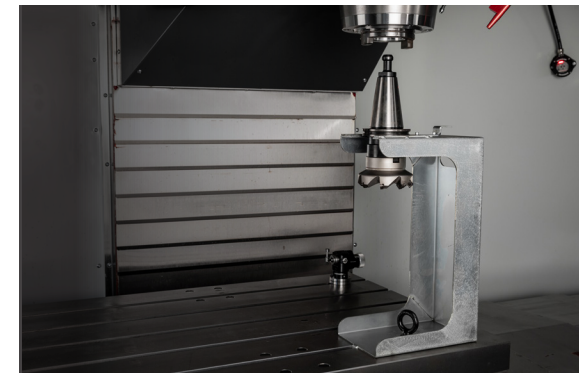
- Great for deep-hole pocketing, side cutting, drilling, and facing
- Activated by M-code, or manually from the control pendant
- Requires a Haas through-spindle coolant (TSC) system
- Easily switch between TSC and TAB



## TOOL LOAD STAND-

### Don't Struggle to Load Heavy Tools

Order the Wireless Intuitive Probing System on any Haas 50-taper VMC, and we'll include our 50-taper tool load stand for free, allowing you to load heavy and oversized tools quickly, easily, and safely.



# IT'S EASIER – WITH PICTURES, VIDEOS & GRAPHICS.

## THE HAAS CONTROL– Designed, built, and programmed by Haas.

The Haas control – hardware and software – is designed and built in-house, and optimized specifically for Haas machine tools. If there is a problem – Haas Automation takes full responsibility for the entire machine. The Haas control is easy to learn and use, and it is the same across the entire product line. Haas machines are also used extensively in educational institutions around the world, so graduating students are already familiar with the Haas control, which makes finding new operators and programmers easier, and simplifies training.

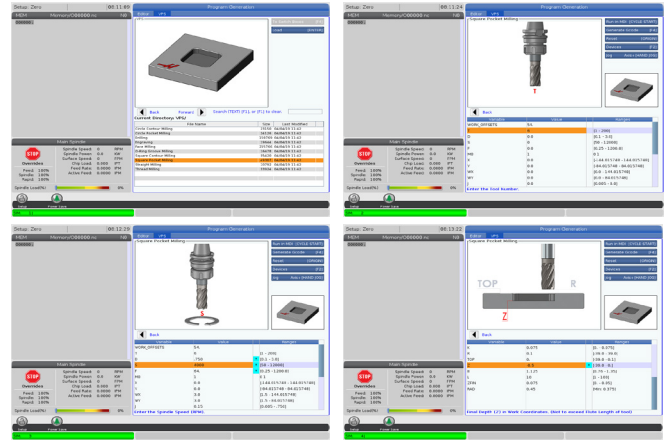
### STANDARD CONTROL FEATURES:

- Dedicated Keypad
- One-Button Features
- Multi-Function Jog Handle
- 15" Color LCD Screen
- Ethernet Interface
- Control Touchscreen
- Advanced Tool Management
- HaasDrop Wireless File Transfer
- USB Port
- 1 GB Memory
- Power-Failure Detection Module
- M130 Media Player
- HaasConnect Mobile Monitoring
- WiFi Connectivity



## VISUAL PROGRAMMING SYSTEM

The Haas Visual Programming System uses graphical templates and a form-like interface to help you quickly create G-code programs for not only basic part features, but also more complex operations, like Y-axis milling/drilling, probing, and more. Simply define the feature in the template, and VPS then outputs working G-code at the touch of a button. VPS also includes a custom template generator, so you can create templates for your own part features or frequently used programs.



## M130 MEDIA DISPLAY

The Haas M130 Media Display M-Code is a powerful tool for communicating with machine operators and programmers directly from the Haas control. Use M130 to call up setup instructions, tool lists, part images, manufacturing information, and more. When the program reaches an M130, the specified media (image, video, or PDF) will be displayed in the upper right corner of the control screen.



- Explain difficult-to-understand secondary operations, using pictures and videos
- Avoid miscommunications with your shop peers
- Describe step-by-step part inspection processes
- Share important setup information with shop personnel



## ALARM VIDEOS

When your machine alarms out, the first thing you want to know is: Why? The Haas control not only includes fully descriptive alarm text explaining the problem, but for many common alarms, it also includes short videos explaining the alarm, and providing valuable troubleshooting tips to resolve the issue.

## MAKE THE CONNECTION WITH HAASCONNECT

Get your machine status notifications anywhere, on any device! The Haas Control has the ability to send you, and others you designate, email notifications about the operating status of your Haas machine. Set up is fast and easy through the MyHaas Portal and HaasCNC.com.



Haas Automation, Inc.  
2800 Sturgis Rd., Oxnard, CA, USA, +1-805-278-1800

Haas Automation Europe  
Mercuriusstraat 28, B-1930 Zaventem, Belgium, +32 2 522 99 05



Specifications subject to change without notice. Not responsible for typographical errors. Machines shown with optional equipment. Actual product appearance may differ. Pricing subject to change without notice.