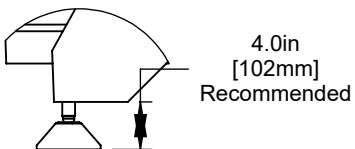
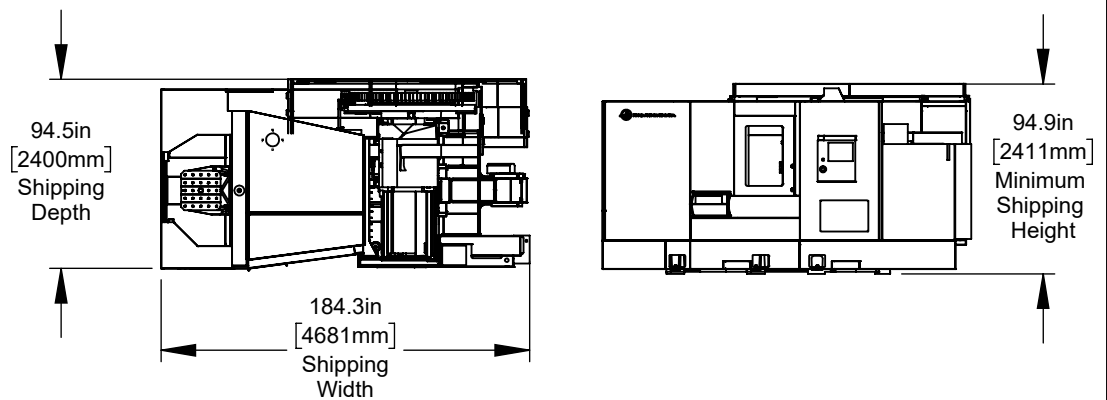
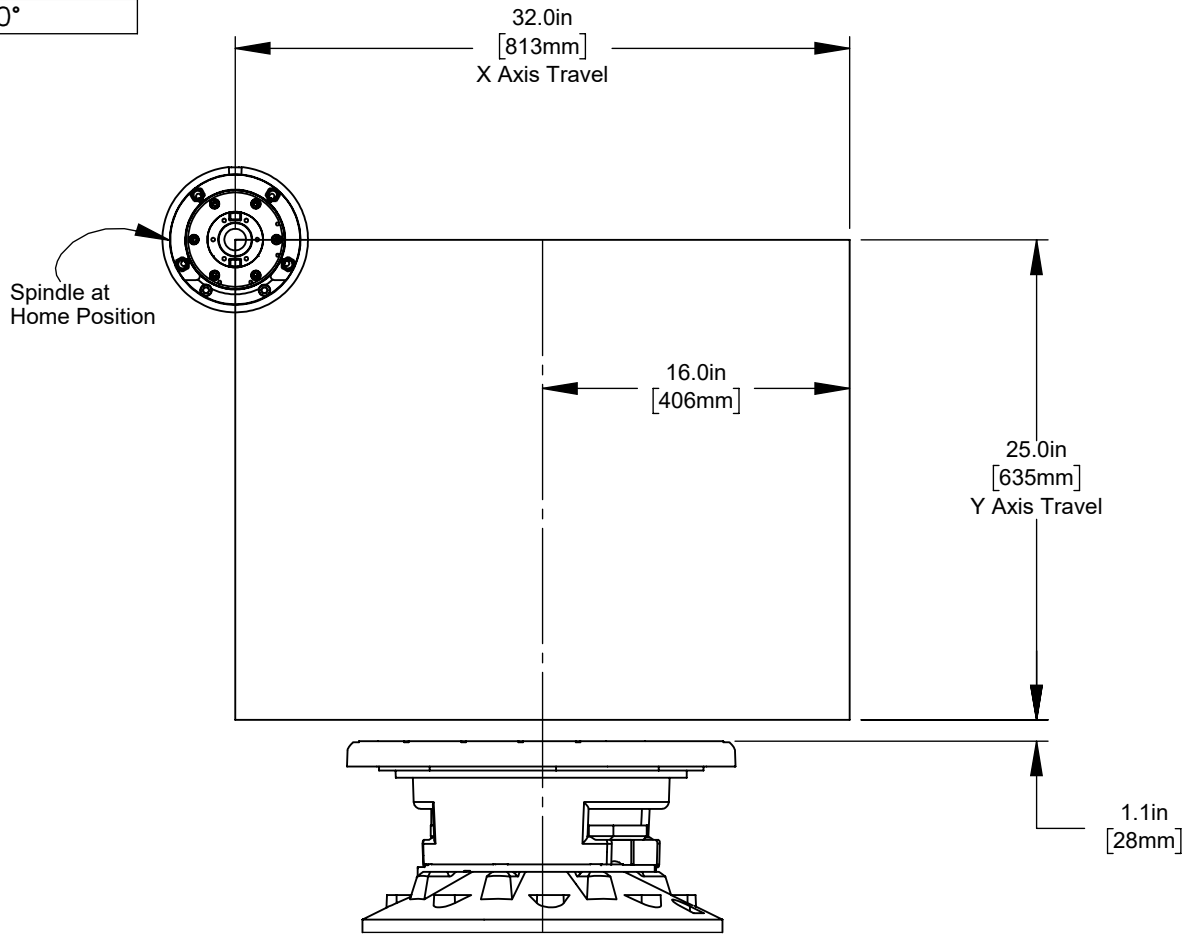


Shipping Dimensions

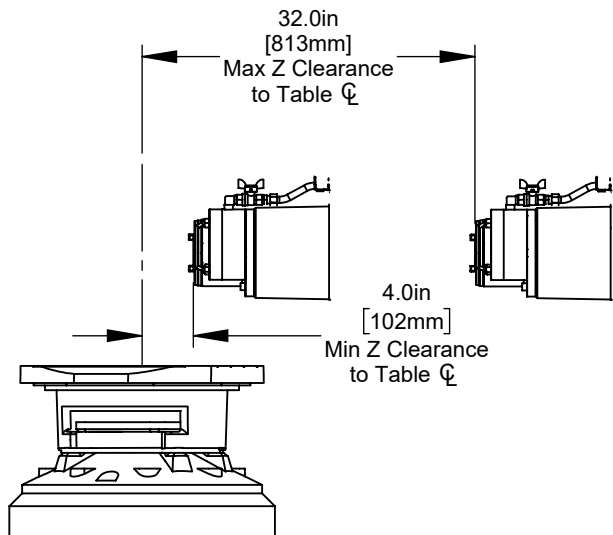


Max Travels		
X	32in	813mm
Y	25in	635mm
Z	28in	711mm
B	360°	

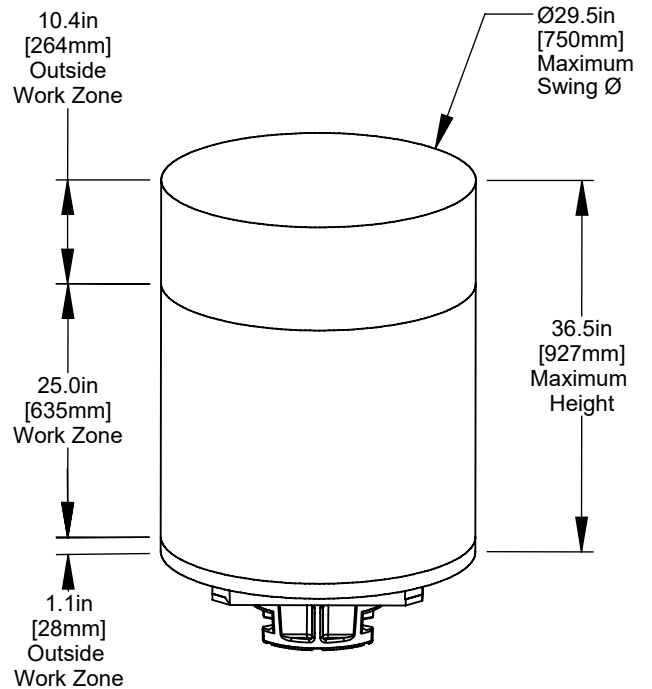
X&Y-Axis Clearance



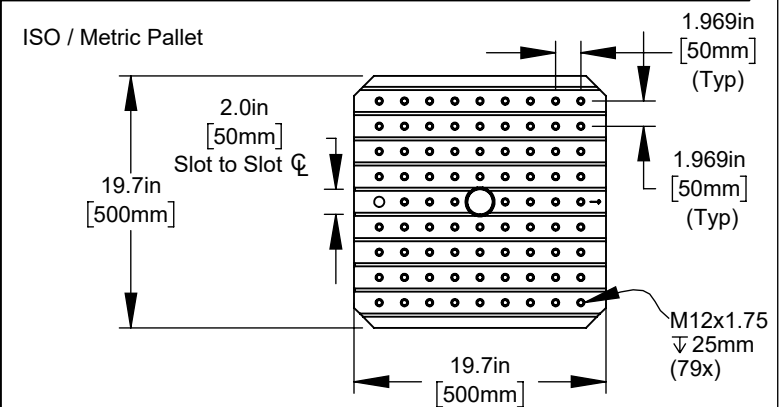
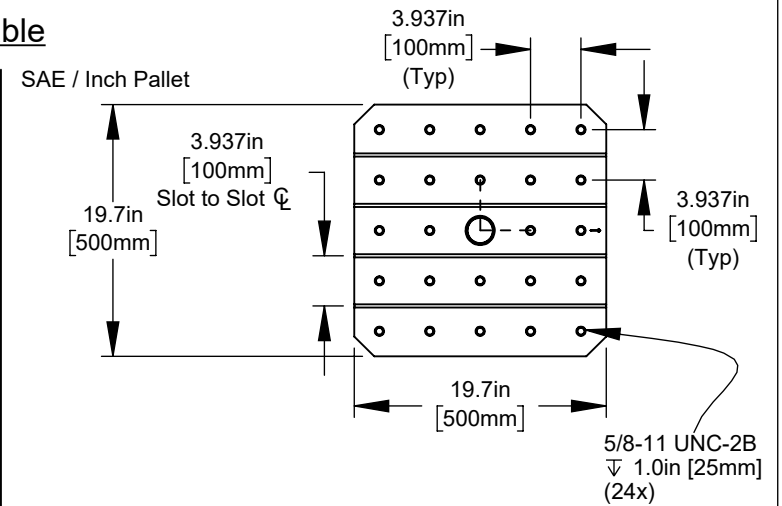
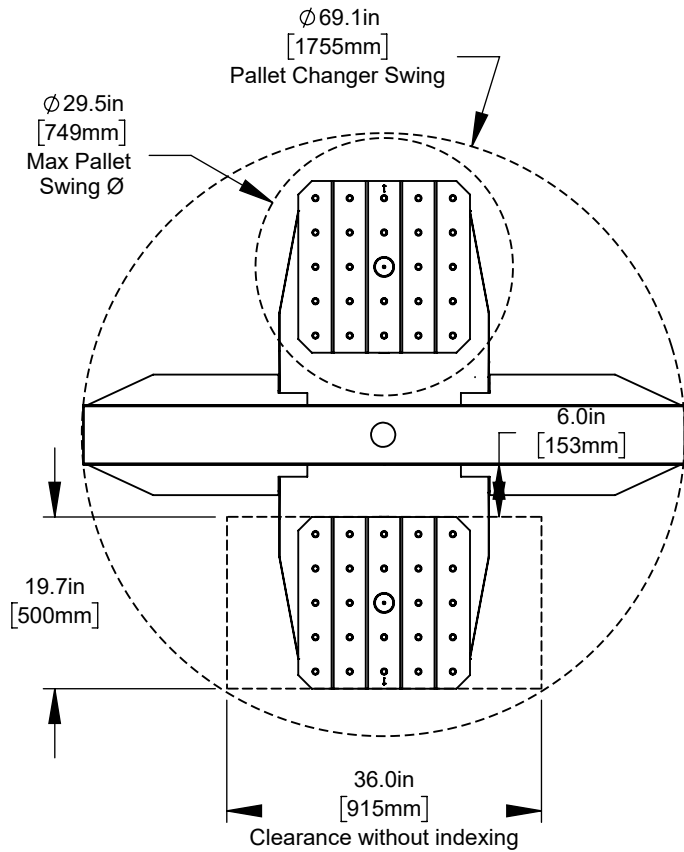
Z-Axis Clearance



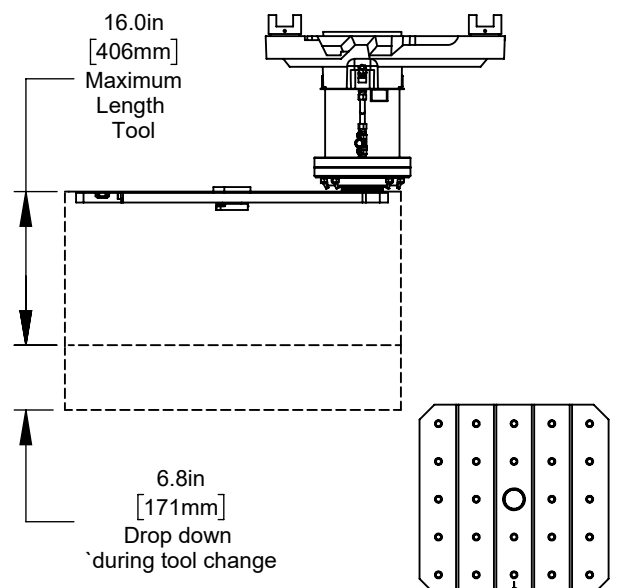
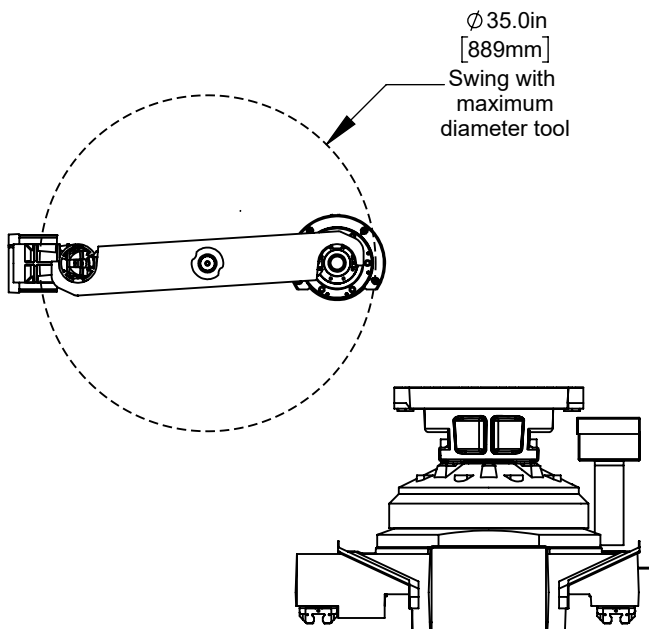
Work Envelope



Table



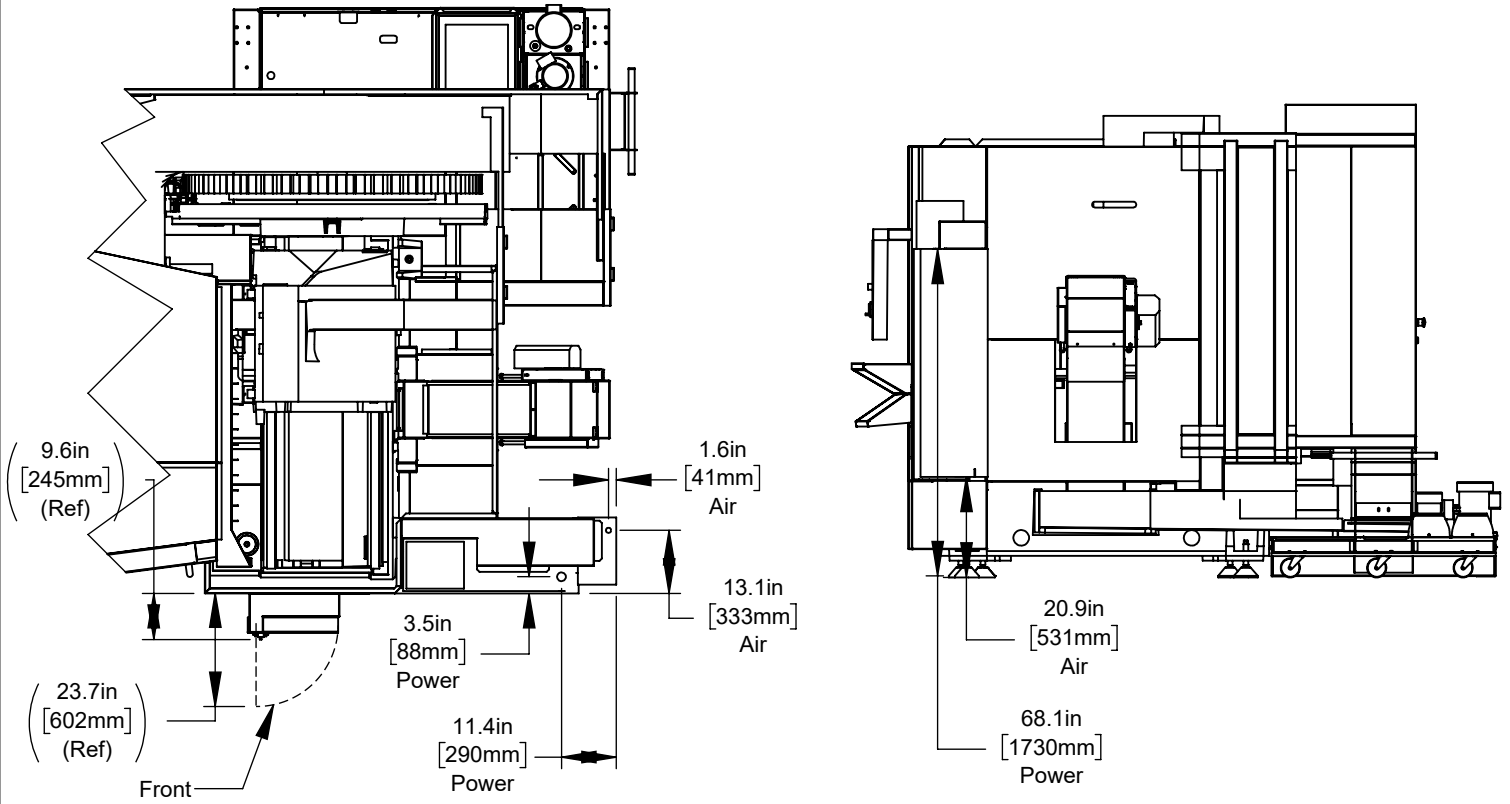
Tool Changer



Air & Power

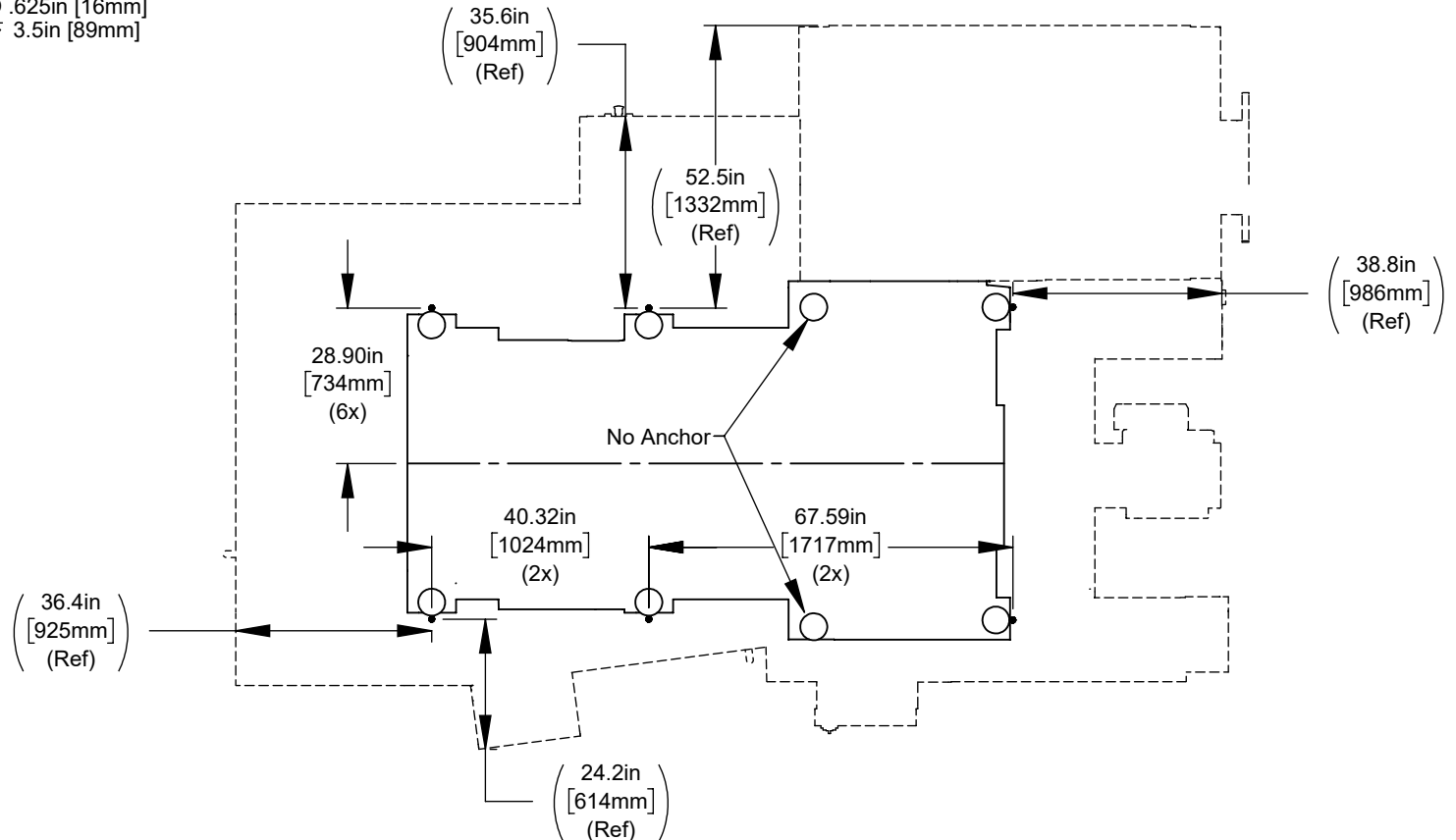
Top View

Right View

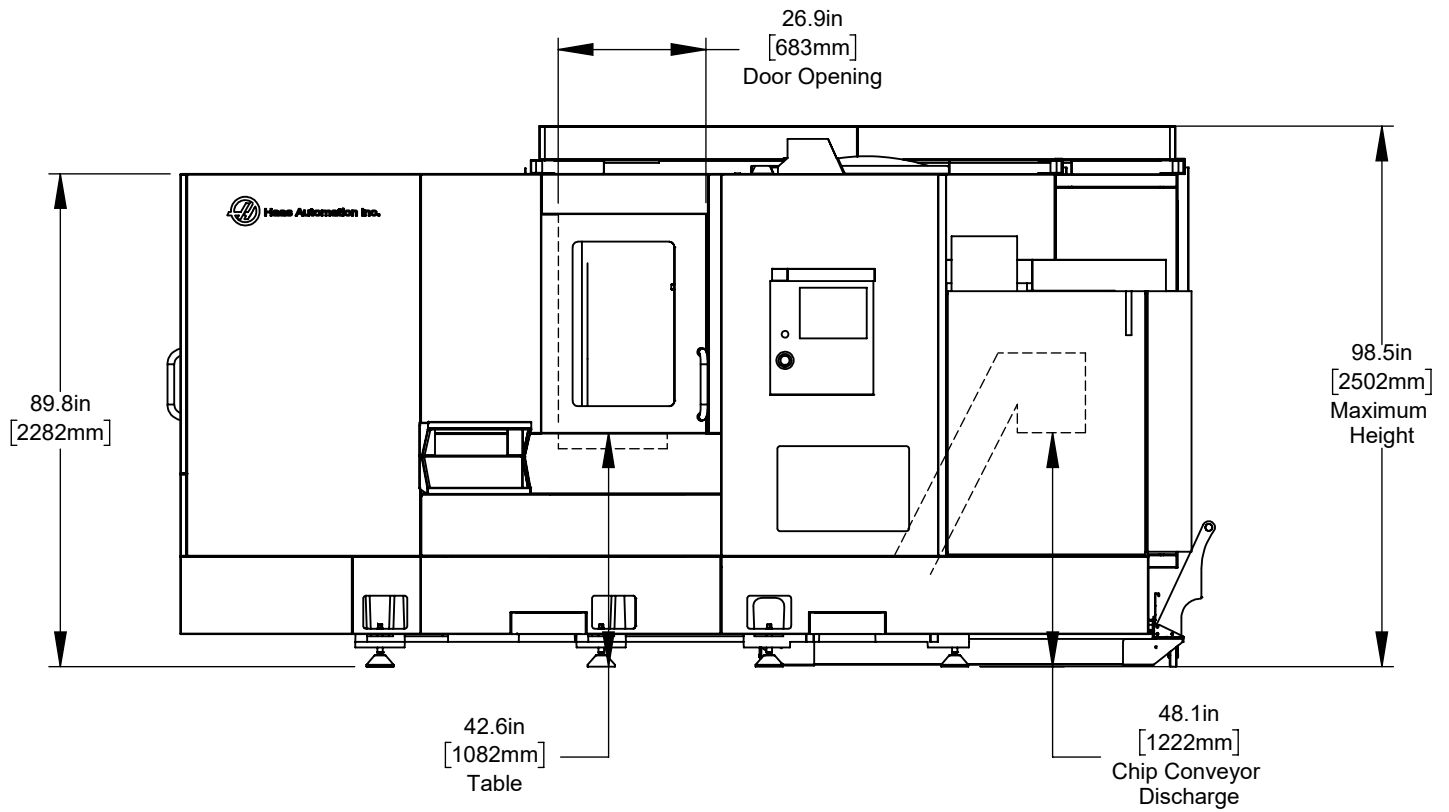


Anchor Pattern

Anchor Hole Detail
 Ø .625in [16mm]
 ▽ 3.5in [89mm]



Height Breakdown



Width Breakdown

