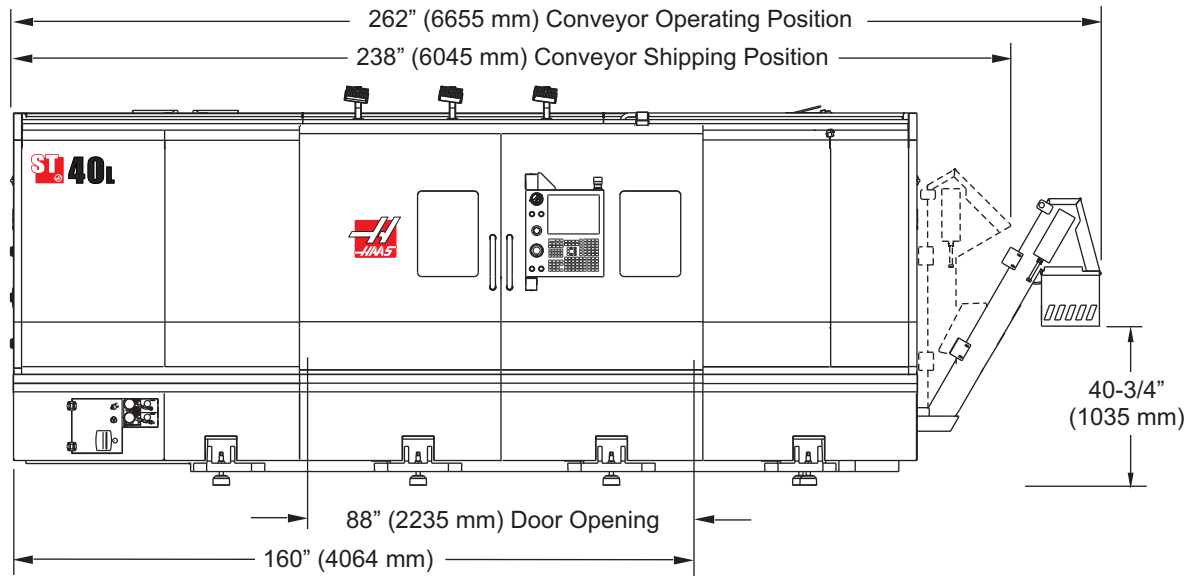
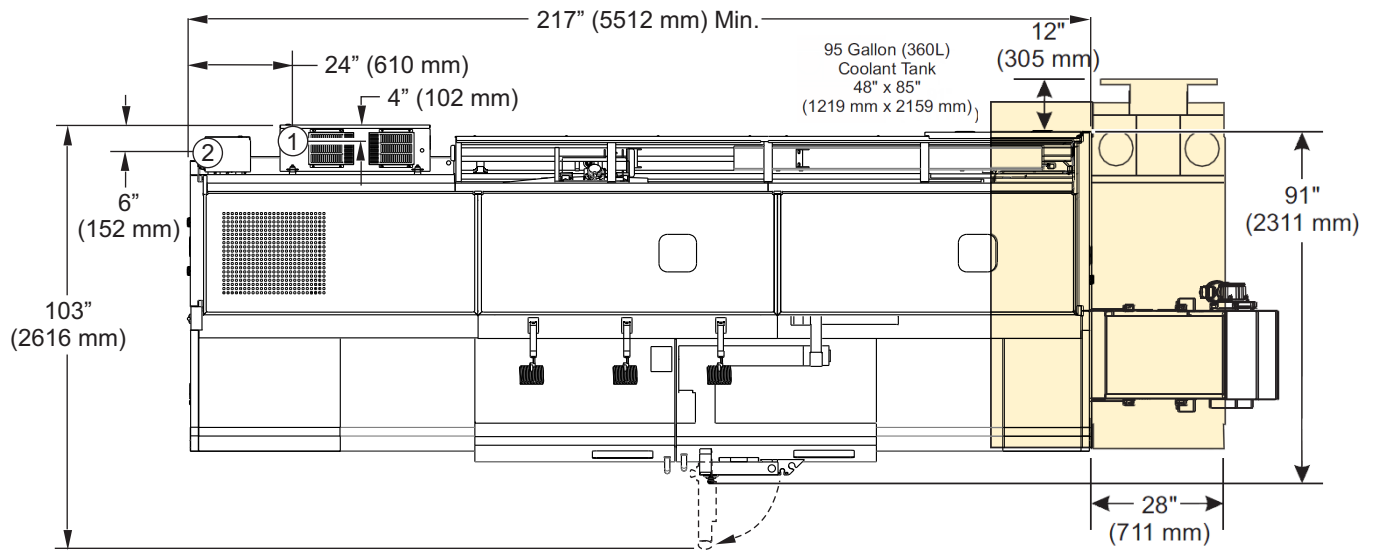
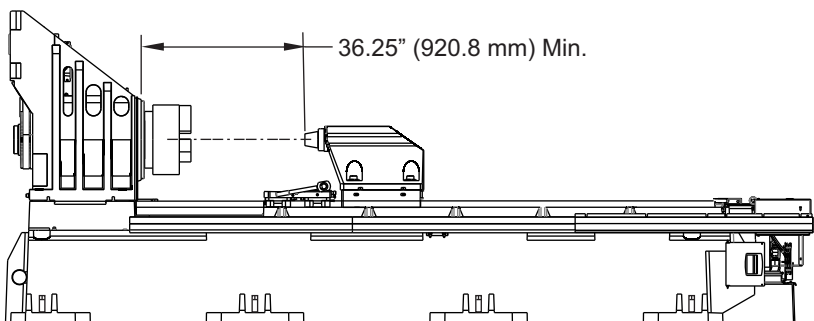
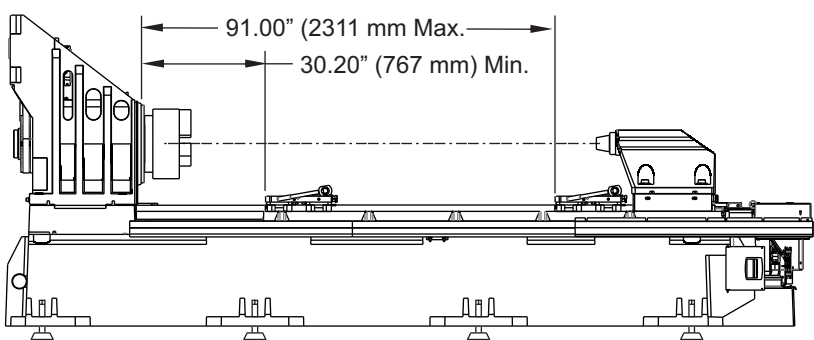
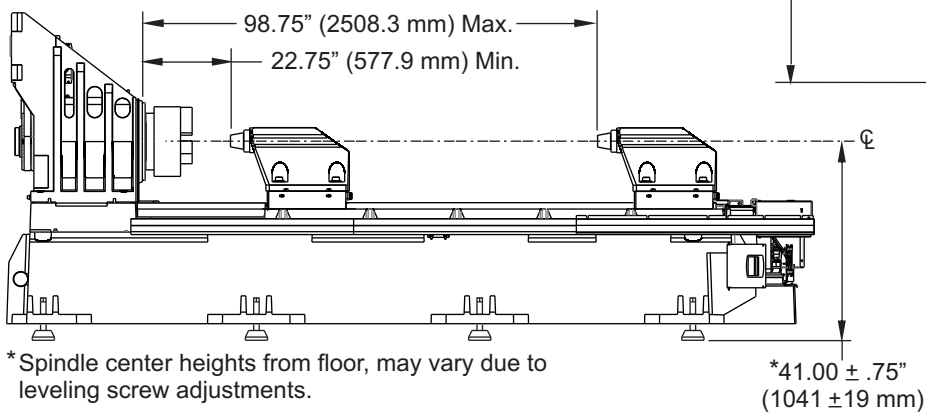
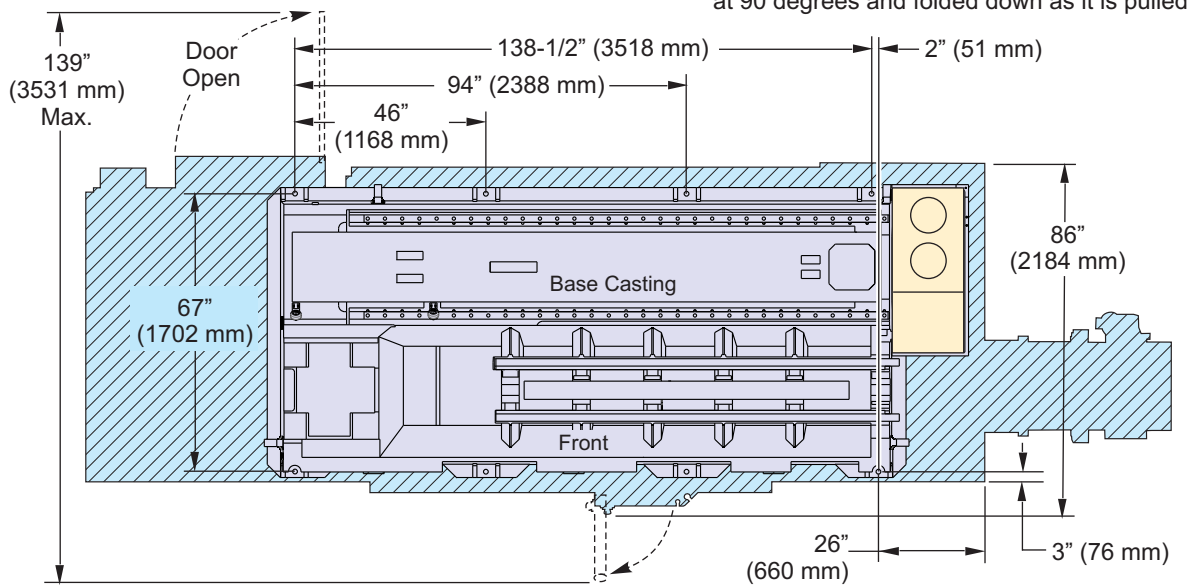
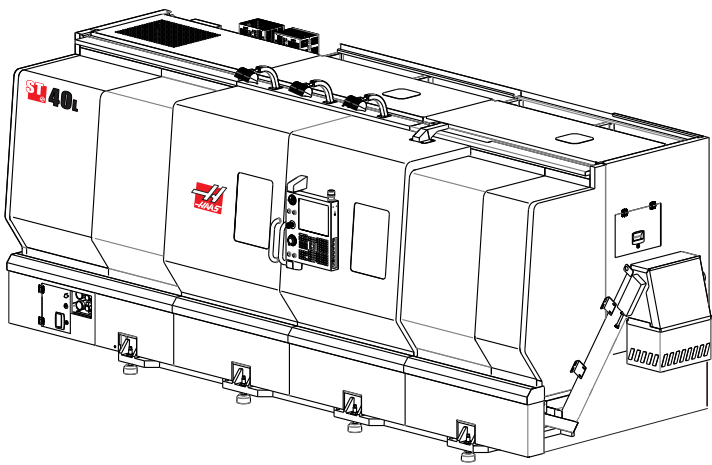


- ① Electrical Connection
- ② Air Connection

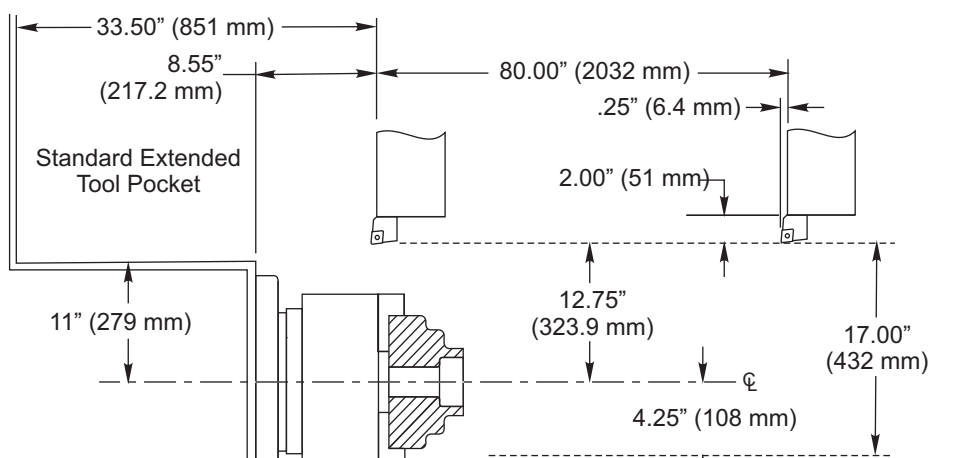


Minimum distance required to remove conveyor from lathe 191" (4851 mm).

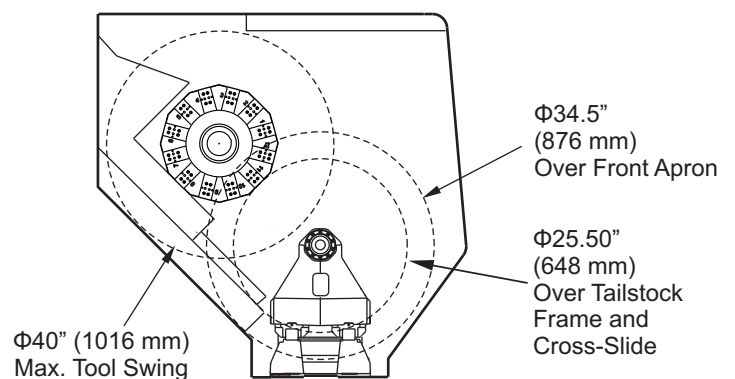
Minimum distance required to remove conveyor from lathe 145" (3683 mm) when conveyor is folded at 90 degrees and folded down as it is pulled out.



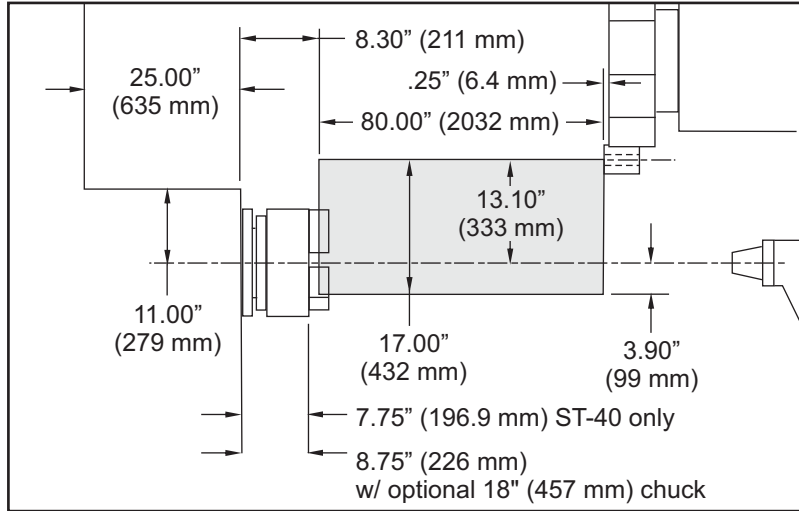
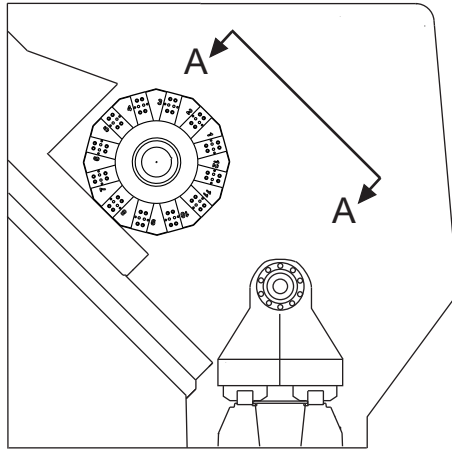
ST-40L/45L Tailstock and Steady Rest Travel #5 Morse Taper



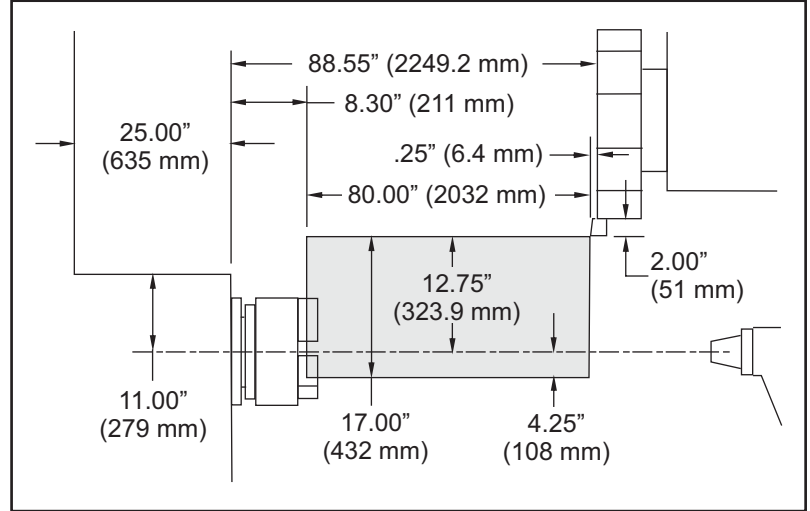
Axis Travels - ST-40L/45L with Standard BOT



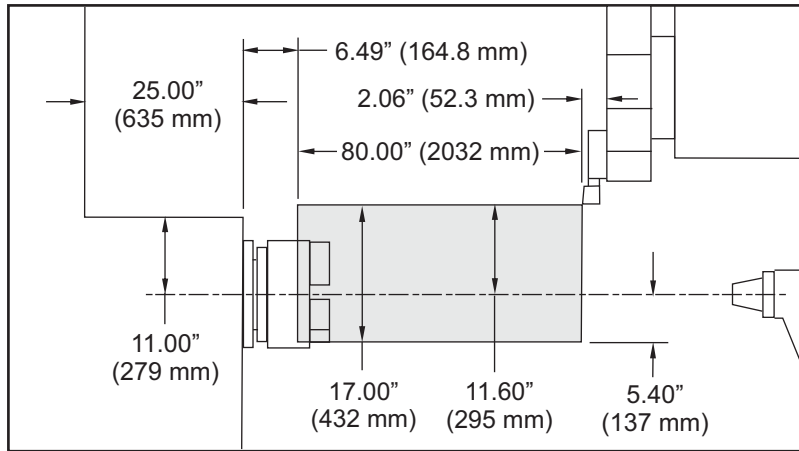
ST-40L/45L Tool Swing Envelope Turret at Home Position 12-Station BOT Turret Standard



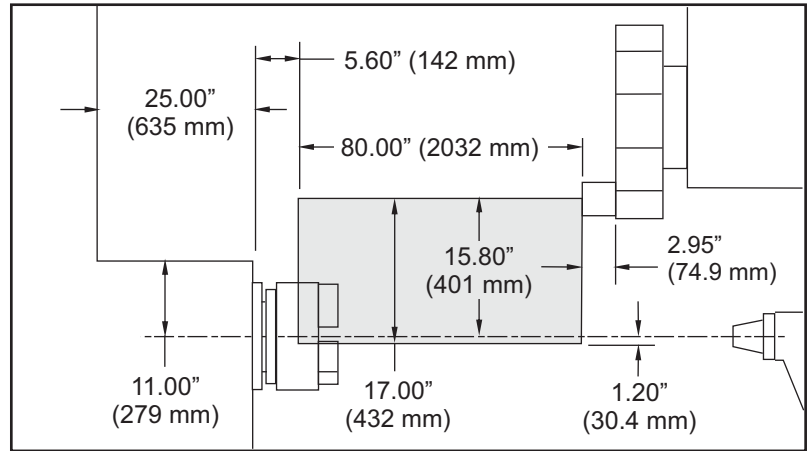
BOT/VB12 ID



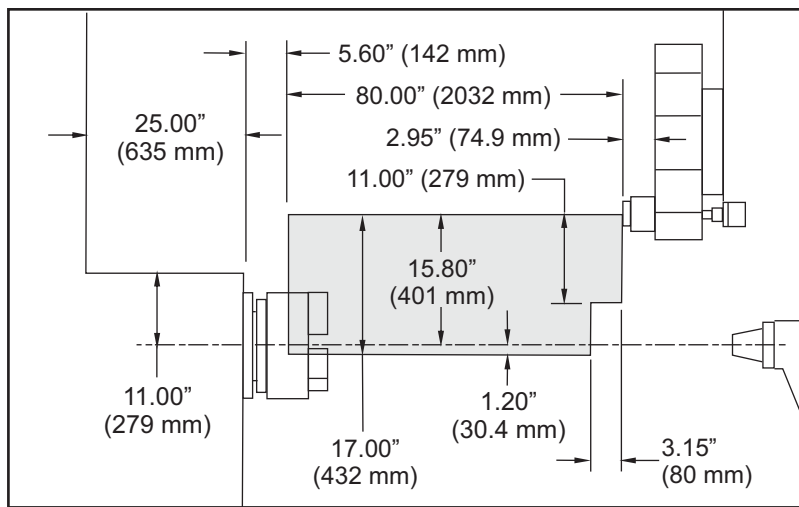
BOT/VB12 OD



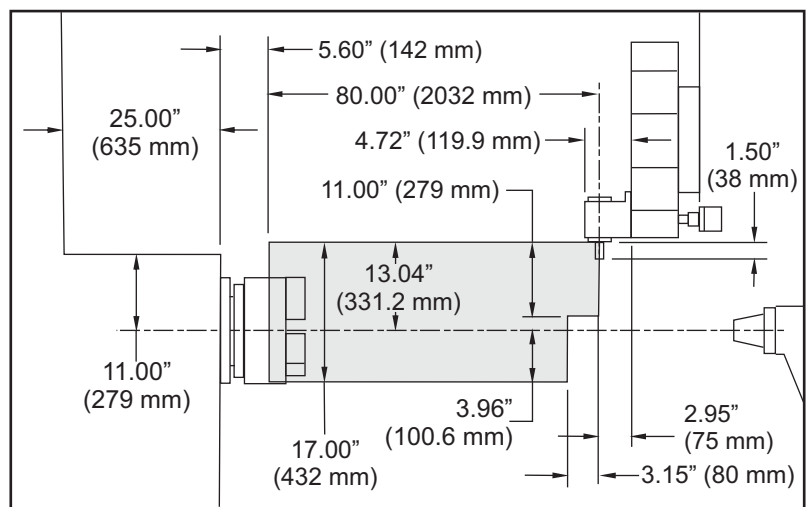
VB12 VDI OD



VB12 VDI ID



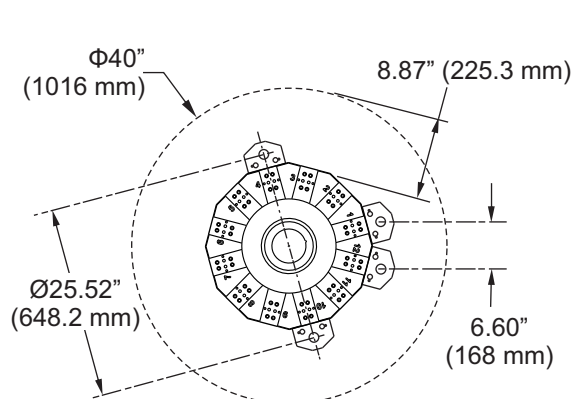
LIVE AXIAL TOOL



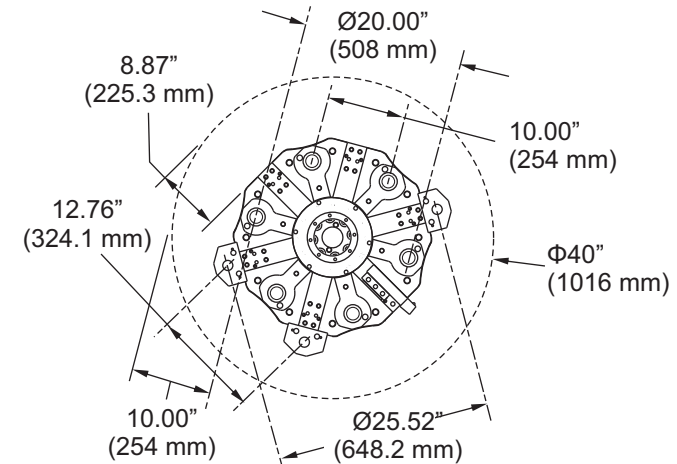
LIVE RADIAL TOOL

View A-A ST-40L/45L Cut Envelope Diagrams

**NOTE:** No workholding standard on ST-45L



12-Station BOT Turret Standard



12-Station Hybrid VB12 Turret Option

ST-40L/45L Tool Interference Drawings

\*Due to continual product improvements, machine dimensions are subject to change without notice.