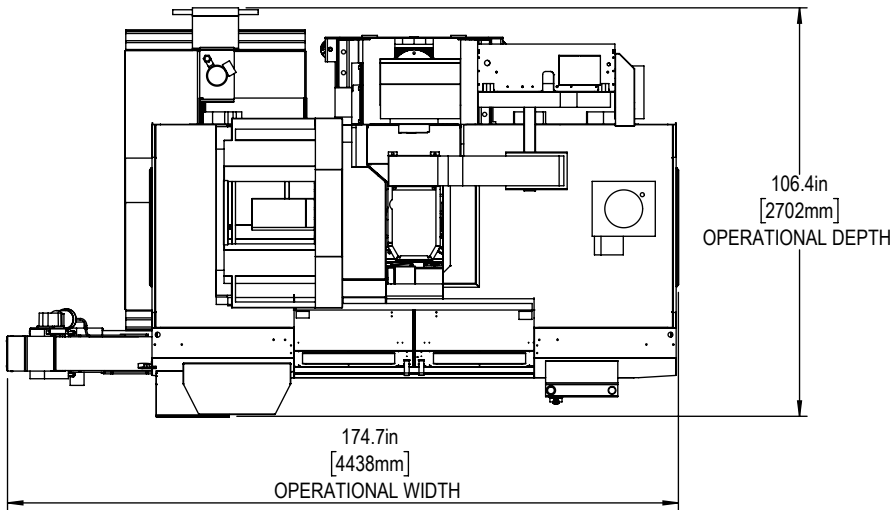
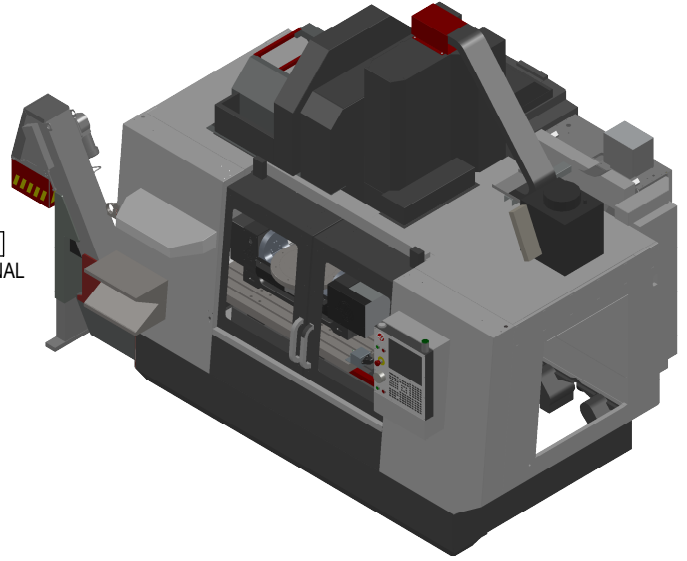
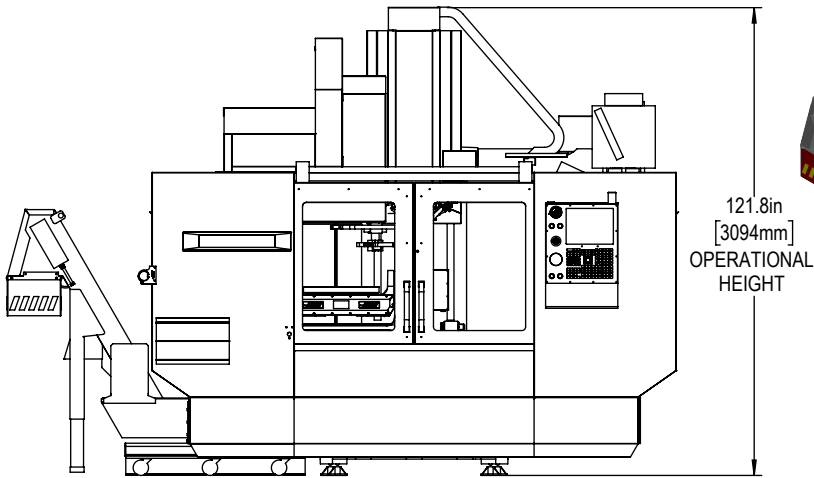
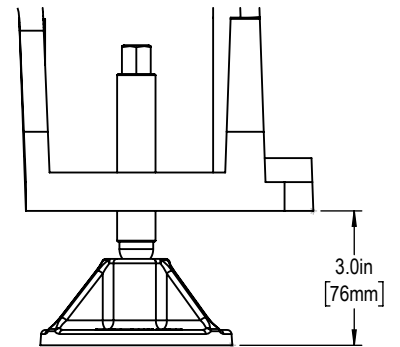


Installed Dimensions

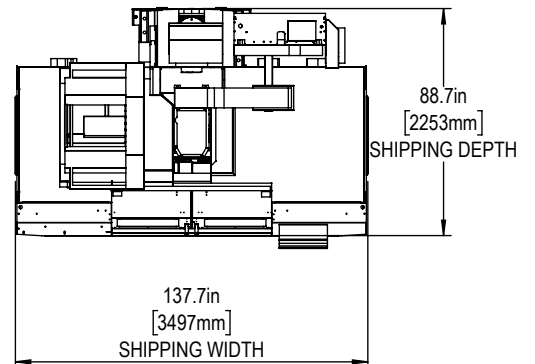
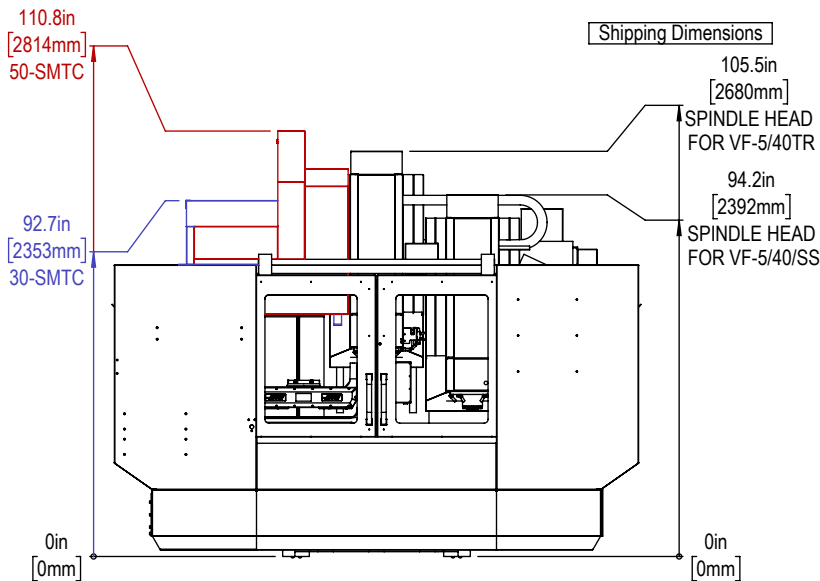


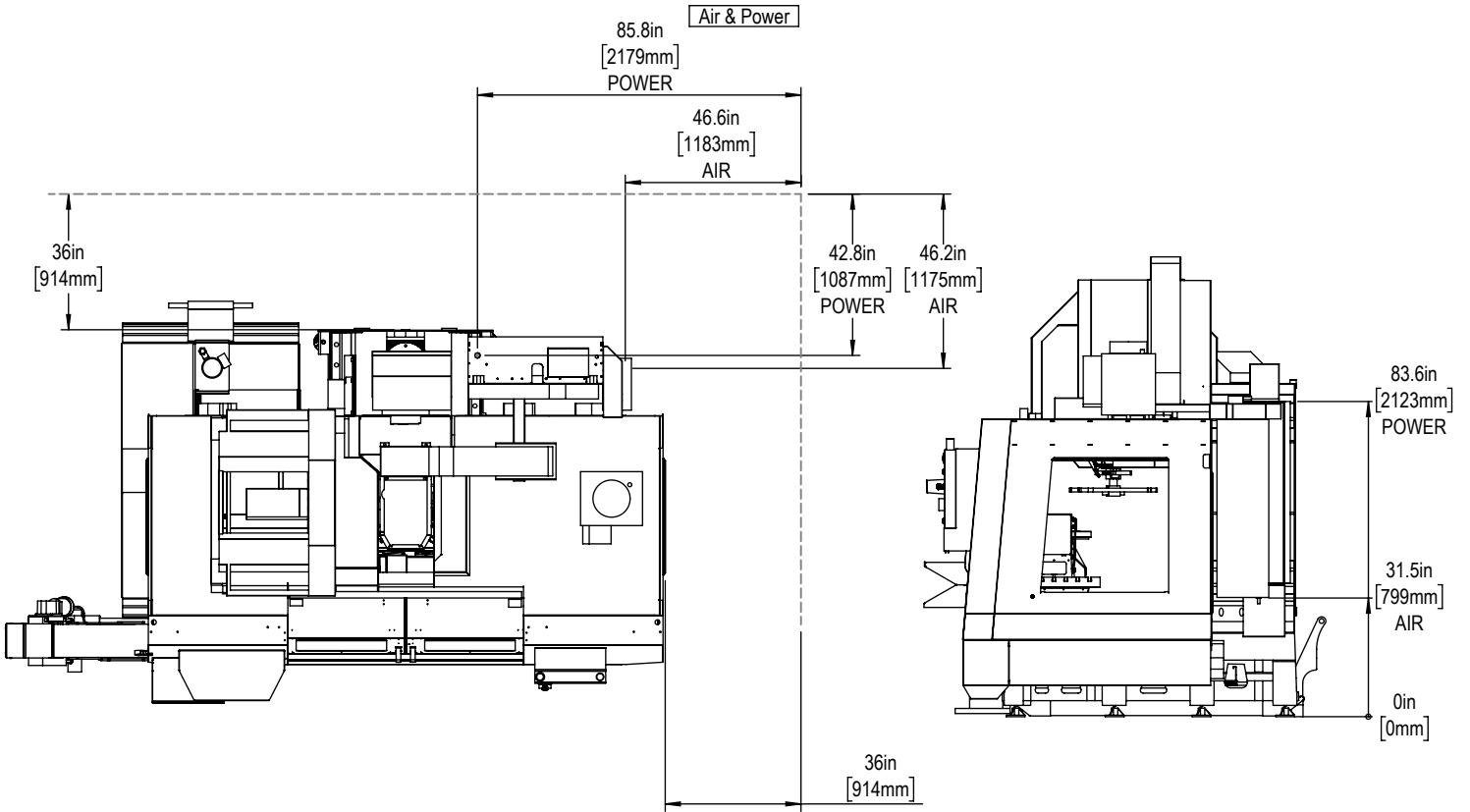
Leveling Pad Height



\*All Height Dimensions Based on Suggested Leveling Pad Height

Shipping Dimensions





Maintain 3 feet [915mm] clearance to the nearest obstruction around all sides of machine perimeter for maintenance access

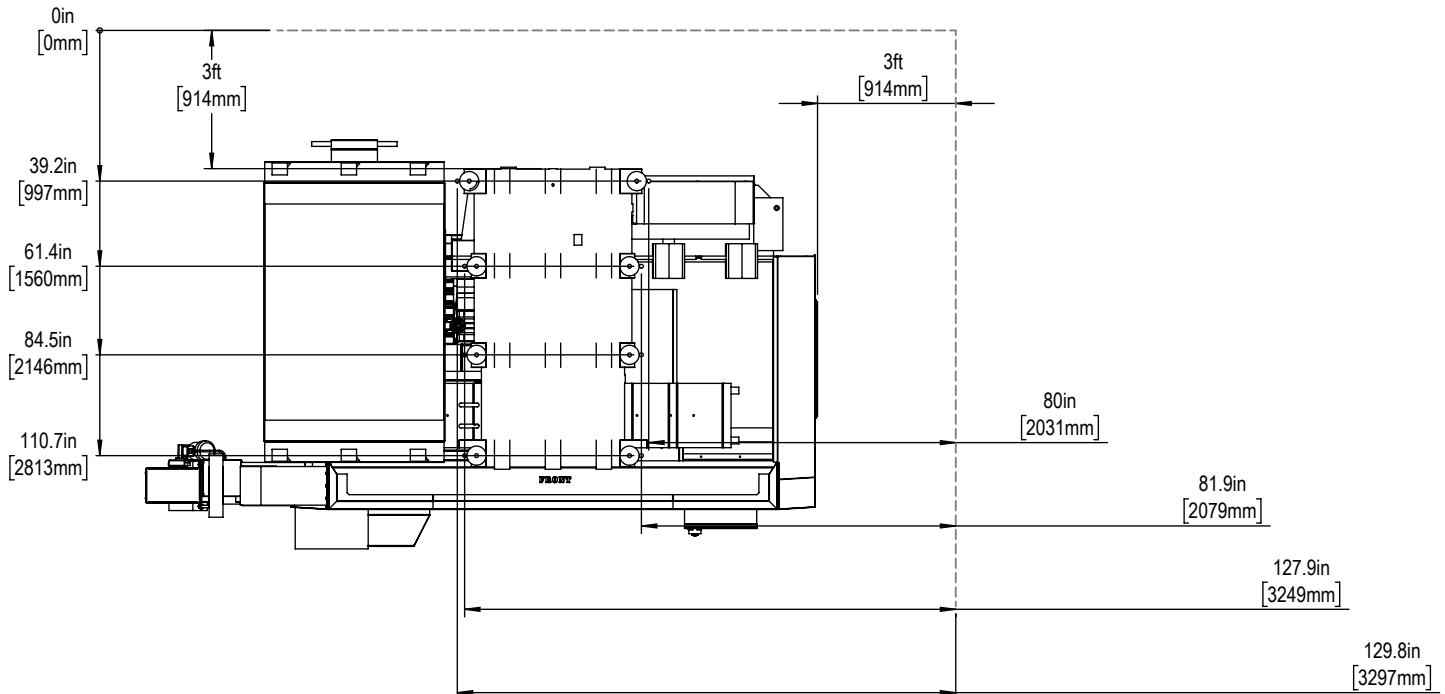
Note:

Machine must be placed on one continuous concrete slab. Slab should extend 12in [305mm] beyond anchor holes in all directions

**Anchor Pattern**

**Anchor Hole Detail**

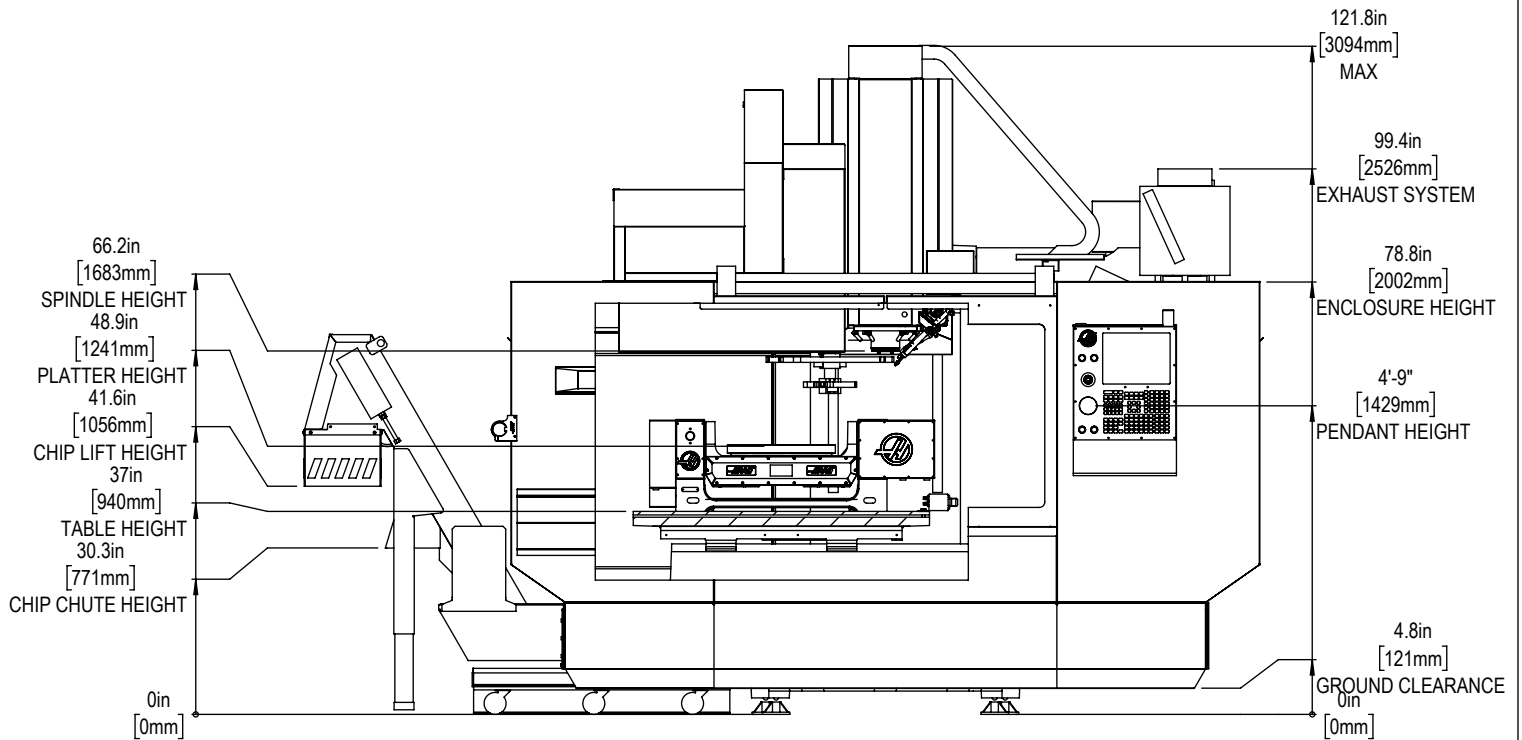
Ø 1.0in[25mm]  
▽ 2.0in[51mm]-  
▽ 2.5in[64mm]



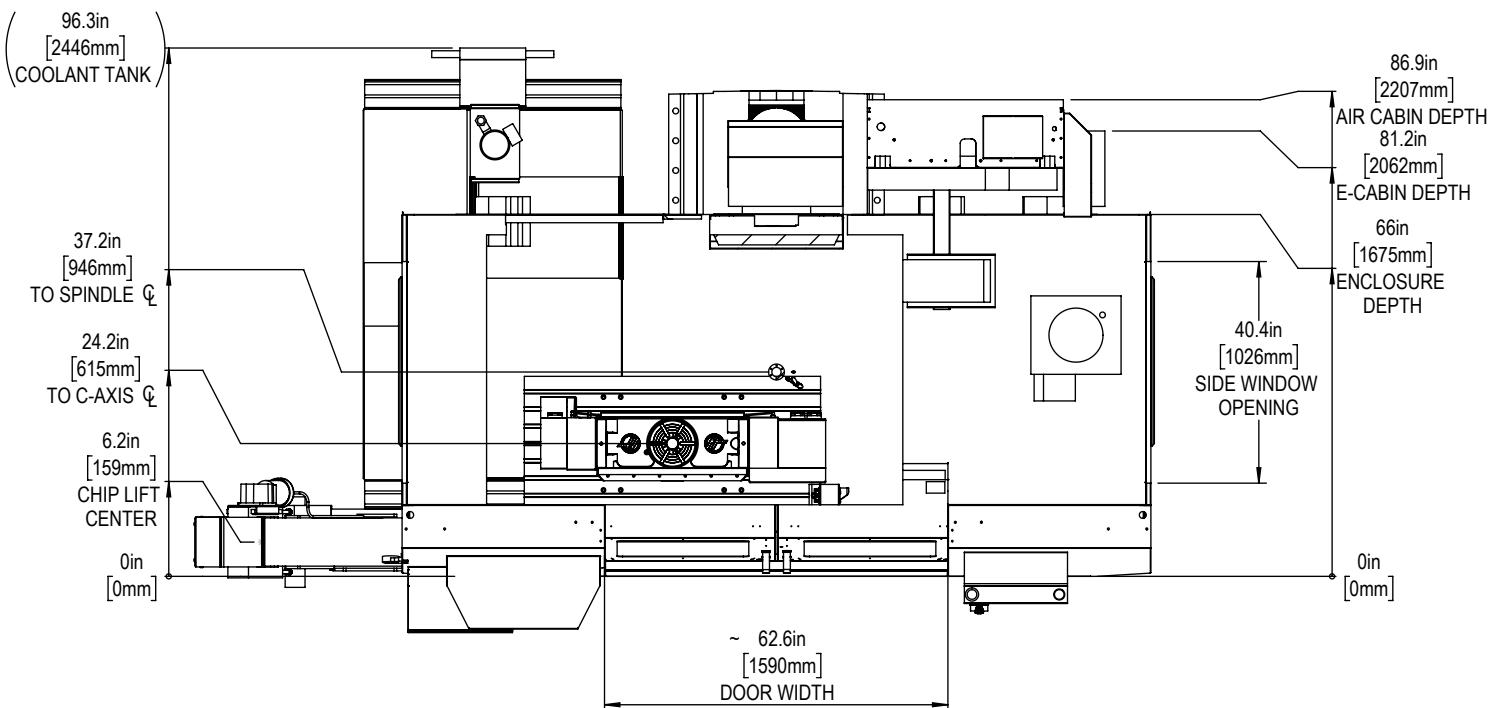
For precise locations and specifications please use template in Anchoring Kit found at Haascnc.com



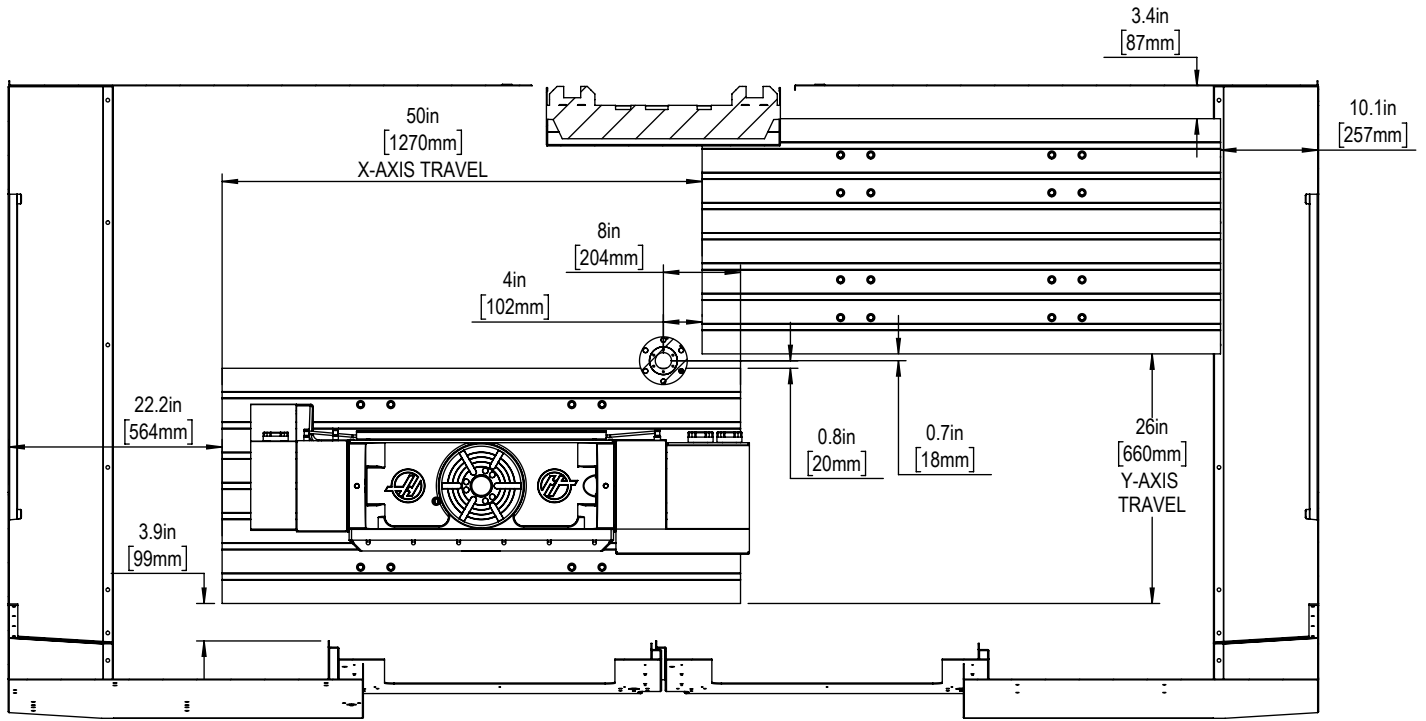
Height Breakdown



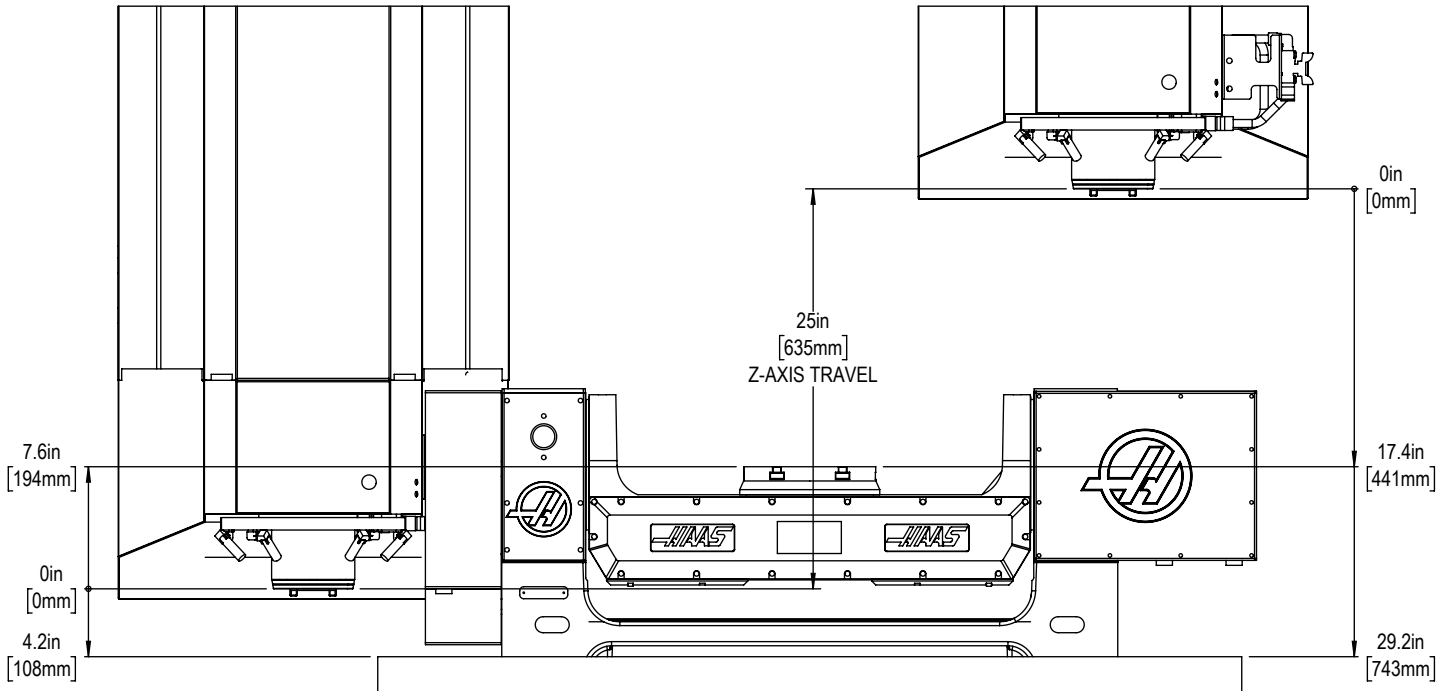
Width Breakdown



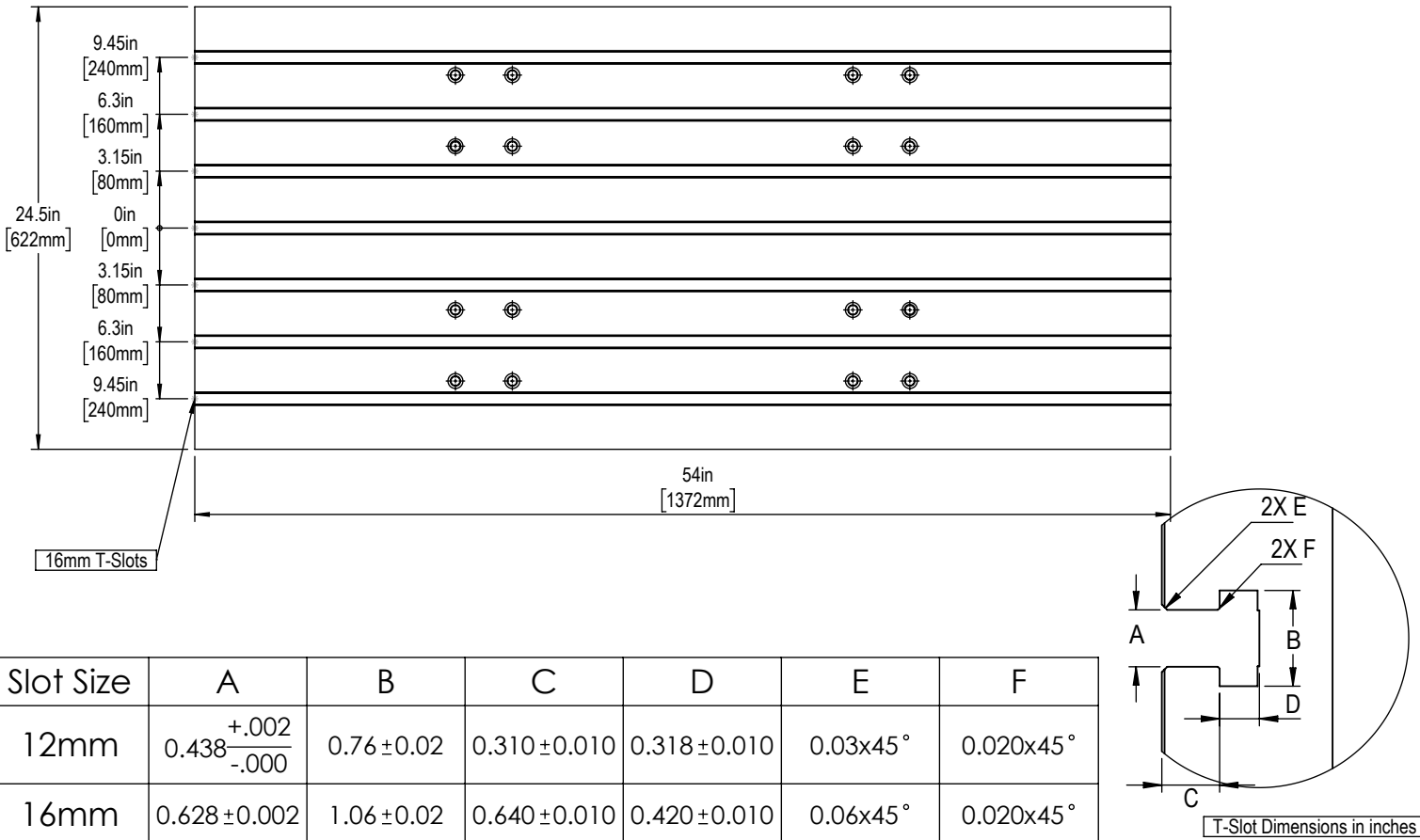
X&Y-Axis Travel and Clearance



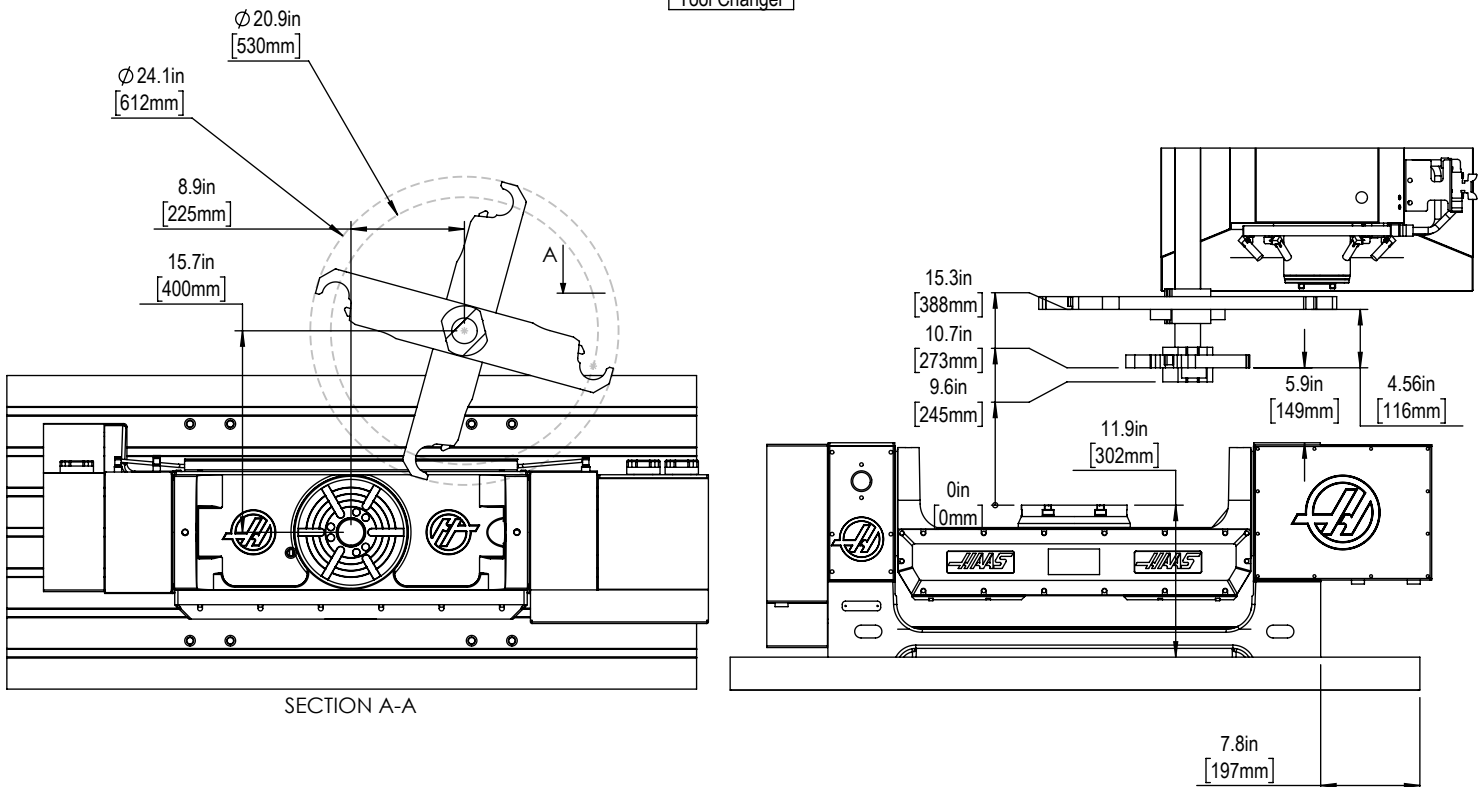
Z-AXIS TRAVEL & CLEARANCE



Table



Tool Changer



FOR MORE INFORMATION PLEASE USE TR210 MLD FOUND AT HAASNC.COM