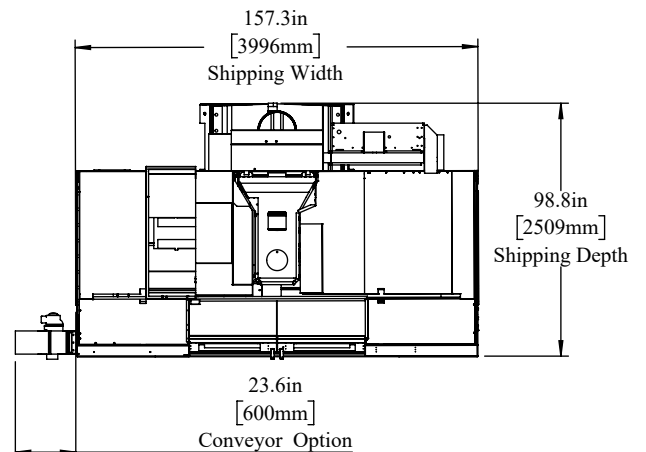
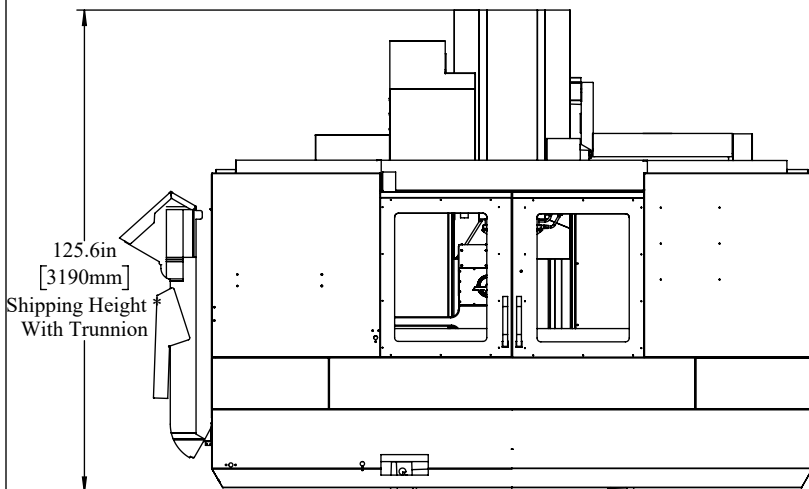


\*Add 8in for Extended Z-Clearance

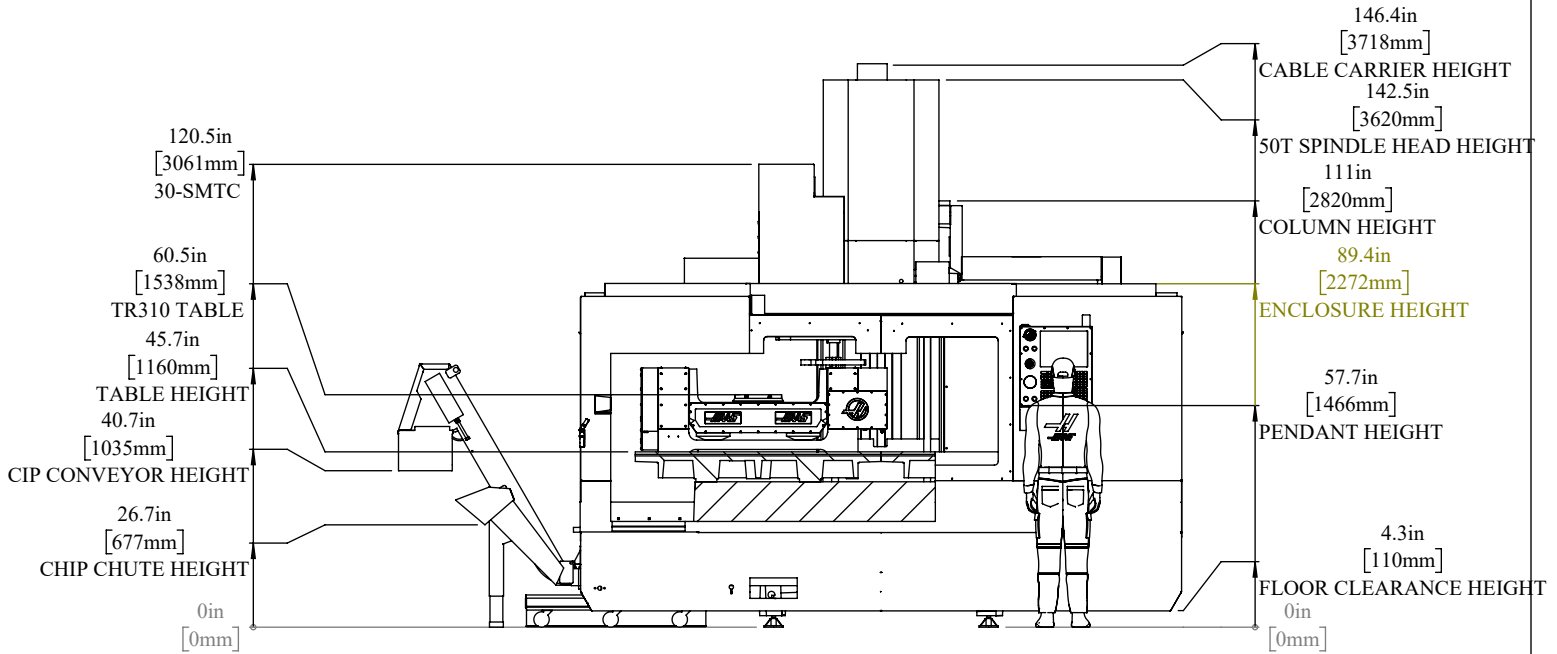
Shipping Dimensions



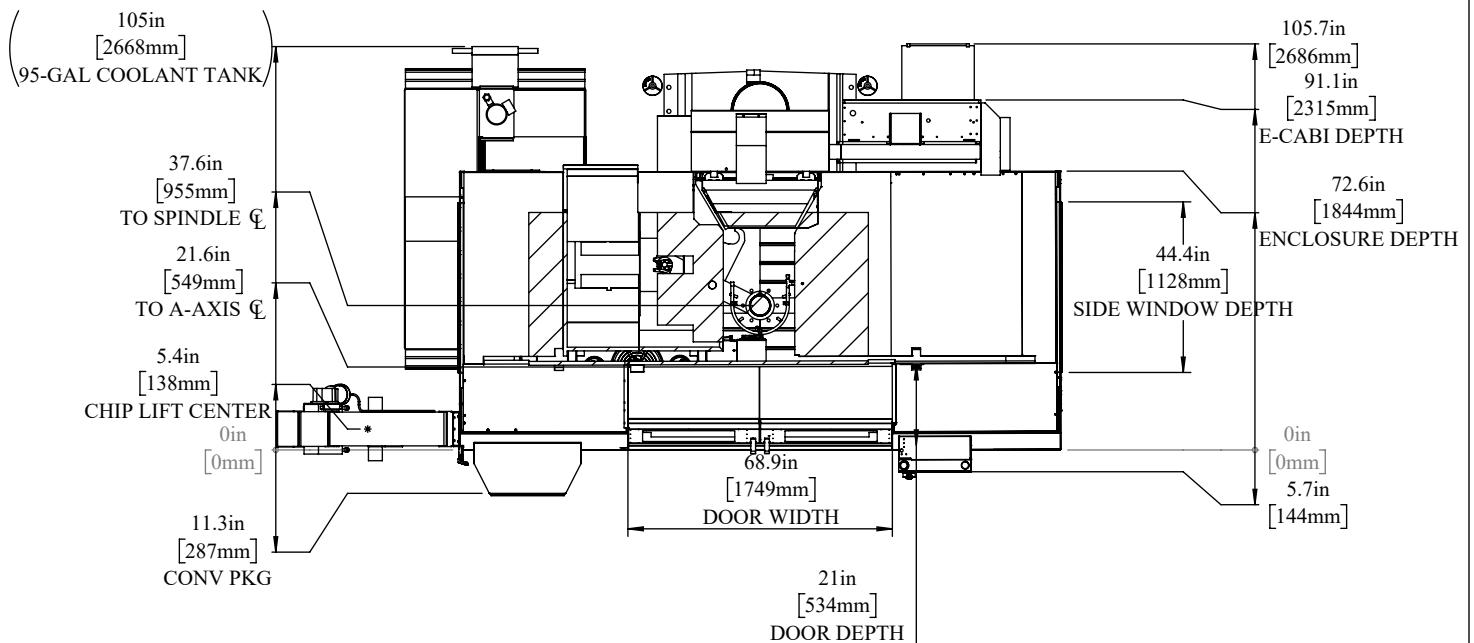




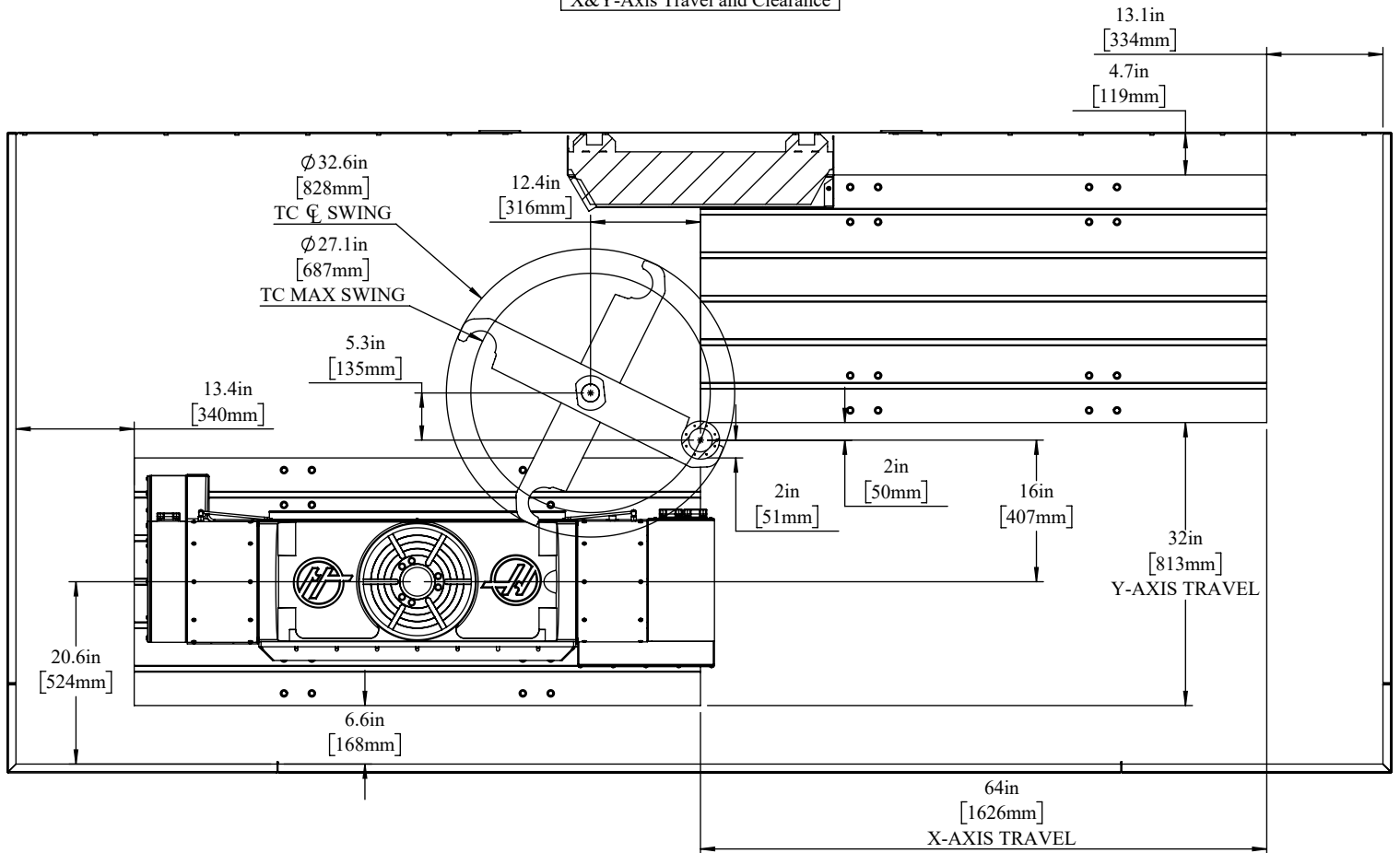
Height Breakdown



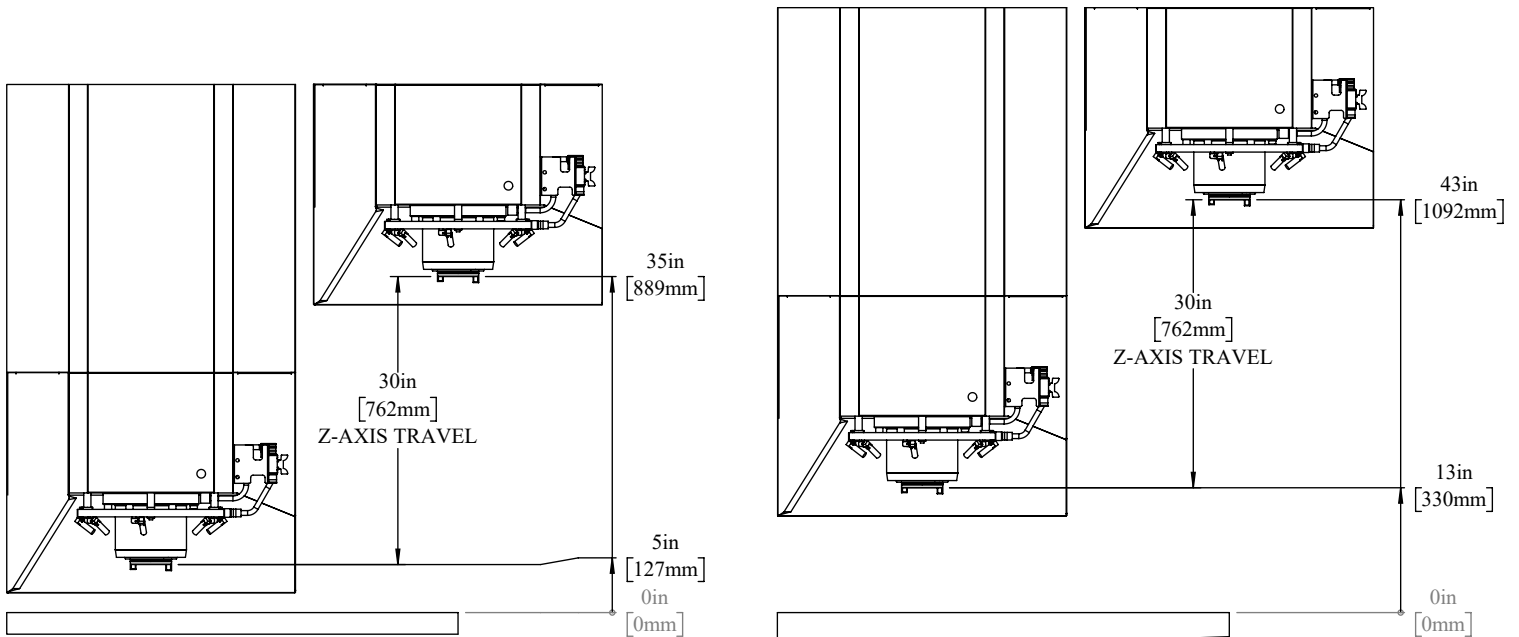
Width Breakdown



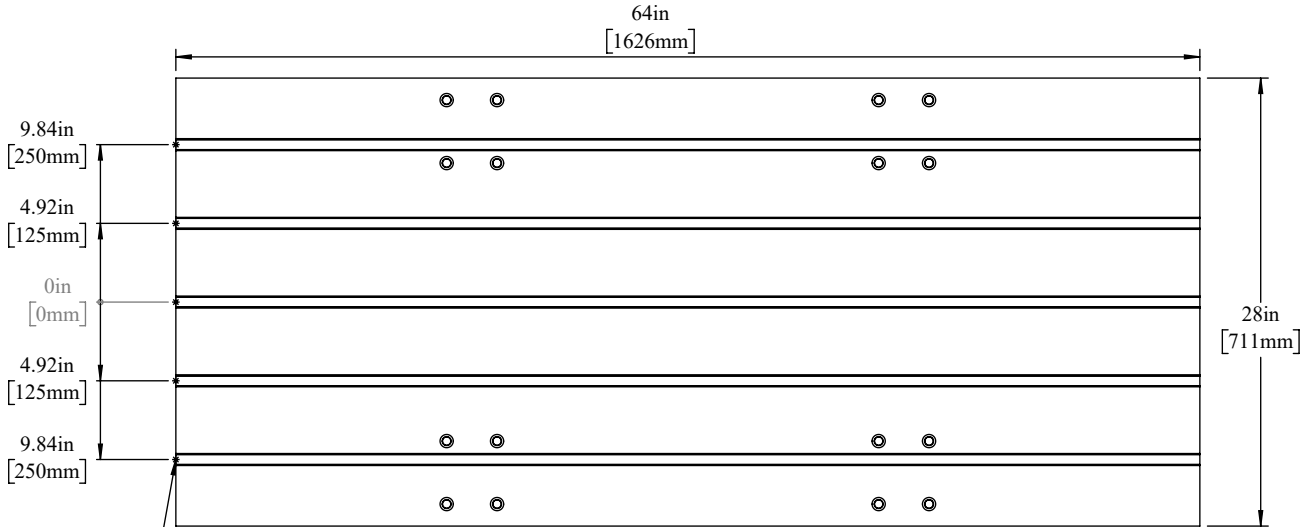
X&Y-Axis Travel and Clearance



Z-AXIS TRAVEL & CLEARANCE

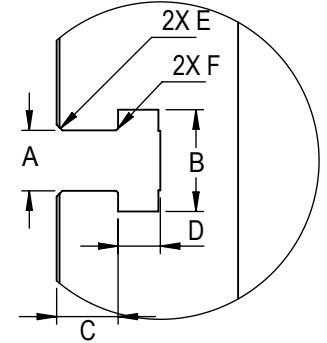


Table



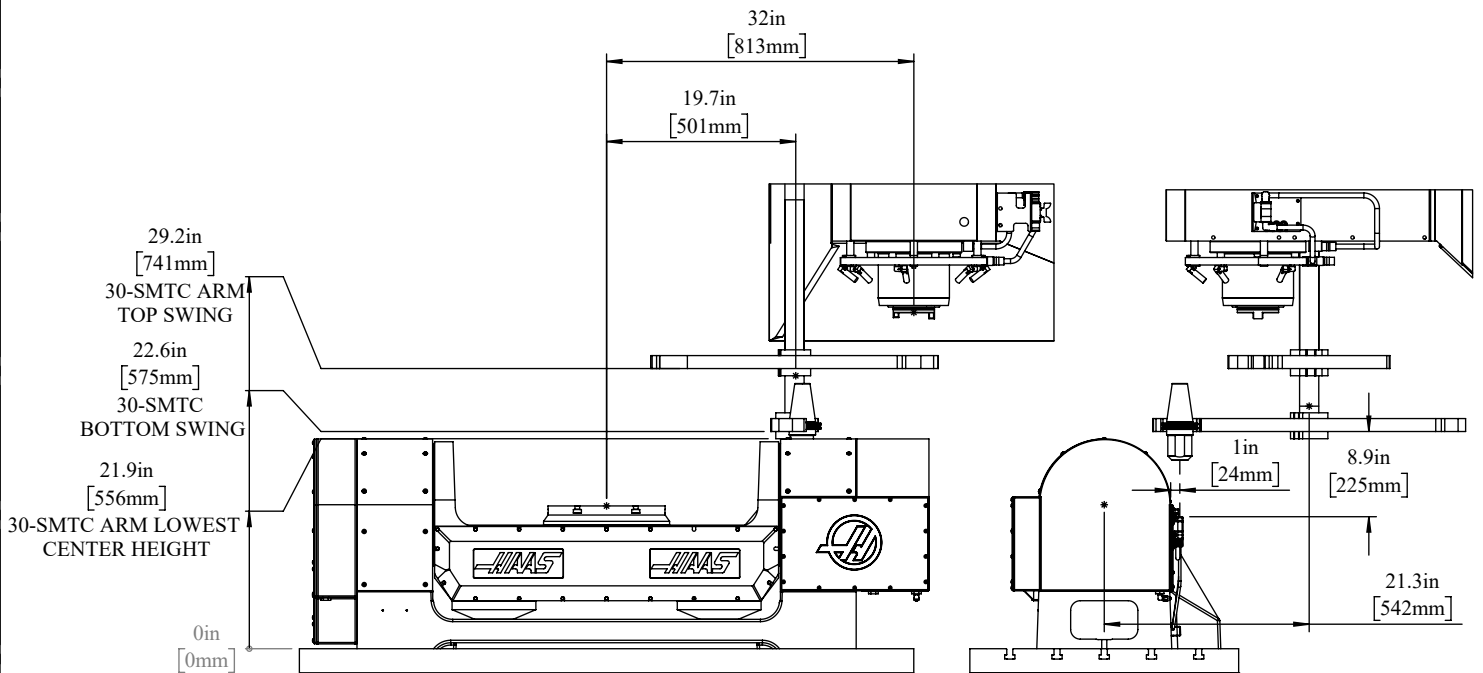
16mm T-SLOTS

Slot Size	A	B	C	D	E	F
12mm	$0.438 \begin{smallmatrix} +.002 \\ -.000 \end{smallmatrix}$	$0.76 \pm 0.02$	$0.310 \pm 0.010$	$0.318 \pm 0.010$	$0.03 \times 45^\circ$	$0.020 \times 45^\circ$
16mm	$0.628 \pm 0.002$	$1.06 \pm 0.02$	$0.640 \pm 0.010$	$0.420 \pm 0.010$	$0.06 \times 45^\circ$	$0.020 \times 45^\circ$



T-Slot Dimensions in inches

Tool Changer



FOR ADDITIONAL INFORMATION ON TR310  
PLEASE REFER TO THE MLD FOUND ON  
HAASCNC.COM

**CAUTION WHEN PERFORMING TOOL CHANGES**